

March 22, 1949.

H. A. STEWART

Des. 153,189

TOY BANK

Filed July 17, 1947

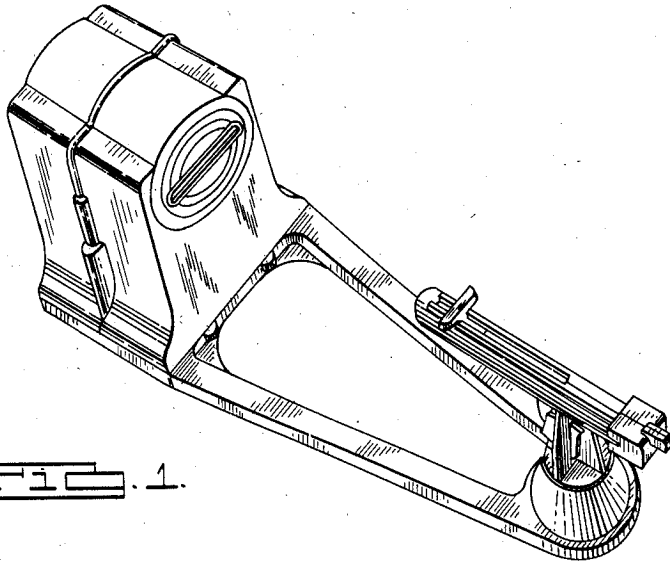


FIG. 1.

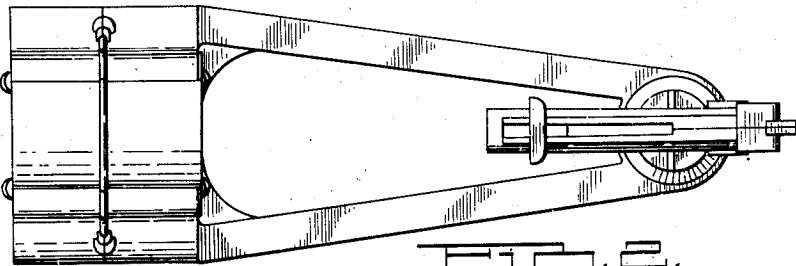


FIG. 2.

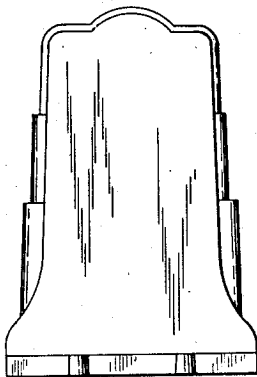


FIG. 3.

INVENTOR.

Henry Arthur Stewart

BY

Elmer Jamison Gray

ATTORNEY.

UNITED STATES PATENT OFFICE

153,189

DESIGN FOR A TOY BANK

Henry Arthur Stewart, Highland Park, Mich., assignor to Duro Pattern and Mold Company, Highland Park, Mich., a co-partnership

Application July 17, 1947, Serial No. 140,350

Term of patent 7 years

(Cl. D34—11)

To all whom it may concern:

Be it known that I, Henry Arthur Stewart, a citizen of the United States, residing at Highland Park, county of Wayne, State of Michigan, have invented a new, original, and ornamental Design for a Toy Bank, of which the following is a specification, reference being had therein to the accompanying drawings, forming a part thereof, in which

Fig. 1 is a perspective view of a toy bank embodying a design in accordance with the present invention.

Fig. 2 is a plan view of the toy bank shown in Fig. 1.

Fig. 3 is an end elevation of the toy bank.

I claim:

The ornamental design for a toy bank, substantially as shown.

HENRY ARTHUR STEWART.

REFERENCES CITED

The following references are of record in the file of this patent:

UNITED STATES PATENTS

| Number | Name | Date |
|-----------|--------------|--------------|
| D. 50,560 | Siegel | Apr. 3, 1917 |
| 1,265,125 | Siegel | May 7, 1918 |

FOREIGN PATENTS

| Number | Country | Date |
|---------|--------------|---------------|
| 790,426 | France | Sept. 9, 1935 |