

Nov. 28, 1950

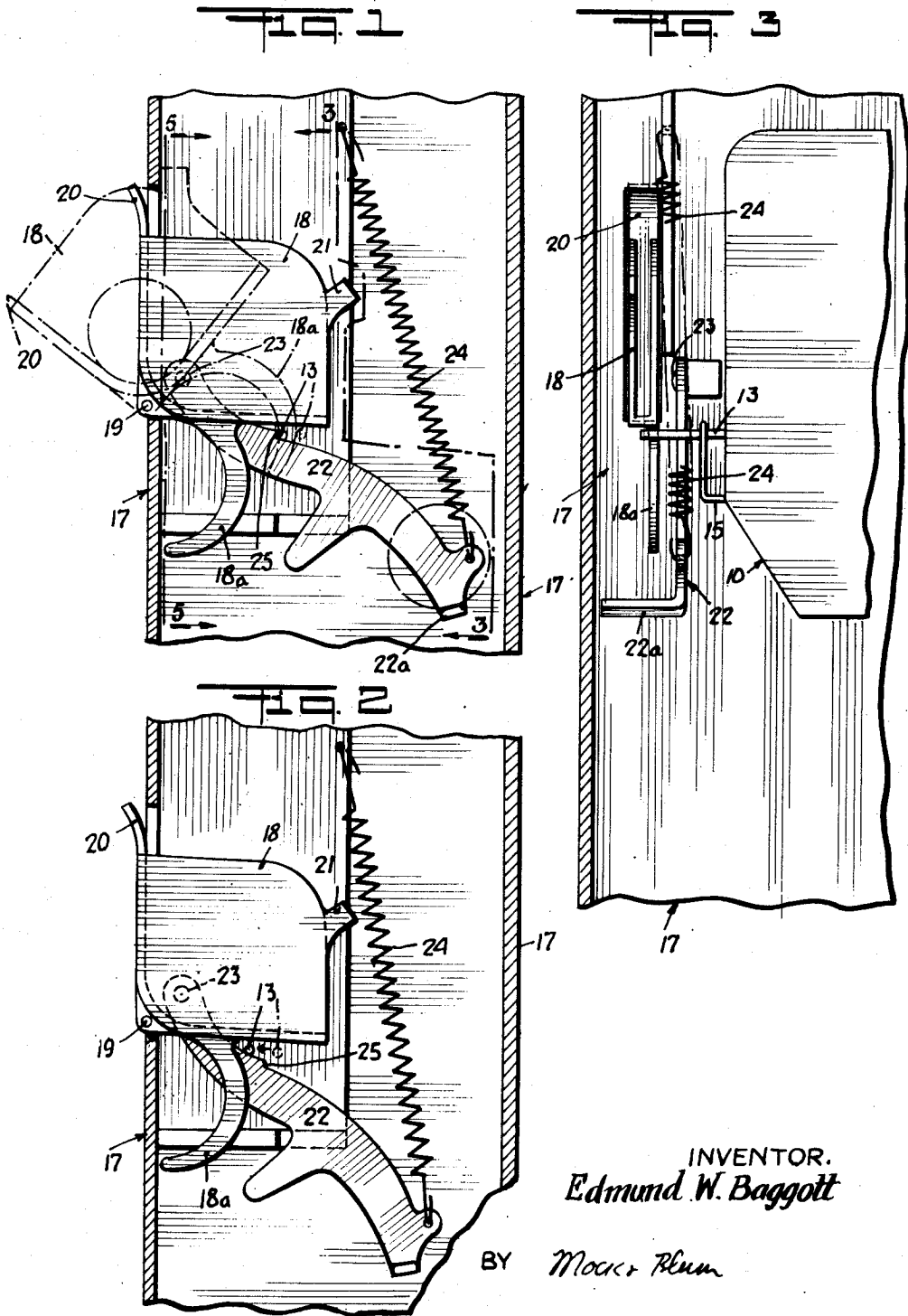
E. W. BAGGOTT

2,531,495

COMBINATION TOY BANK AND MUSIC BOX

Filed July 29, 1947

2 Sheets-Sheet 1



INVENTOR.
Edmund W. Baggott

BY *Mock & Blum*

ATTORNEYS

Nov. 28, 1950

E. W. BAGGOTT

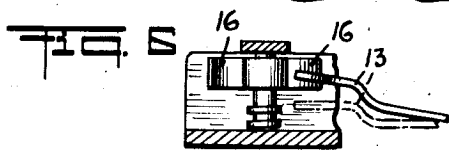
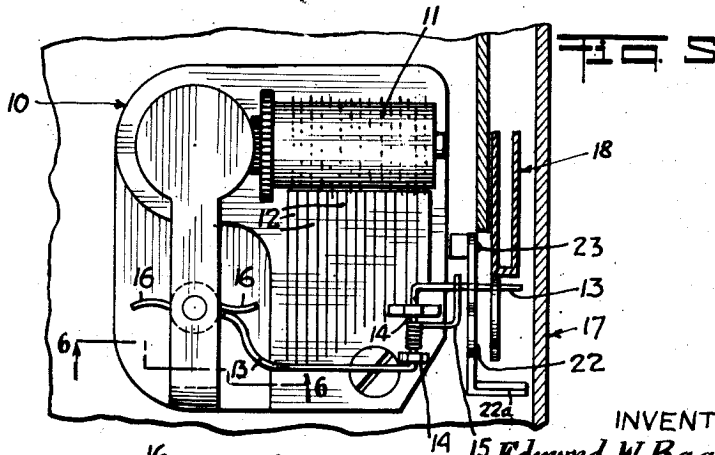
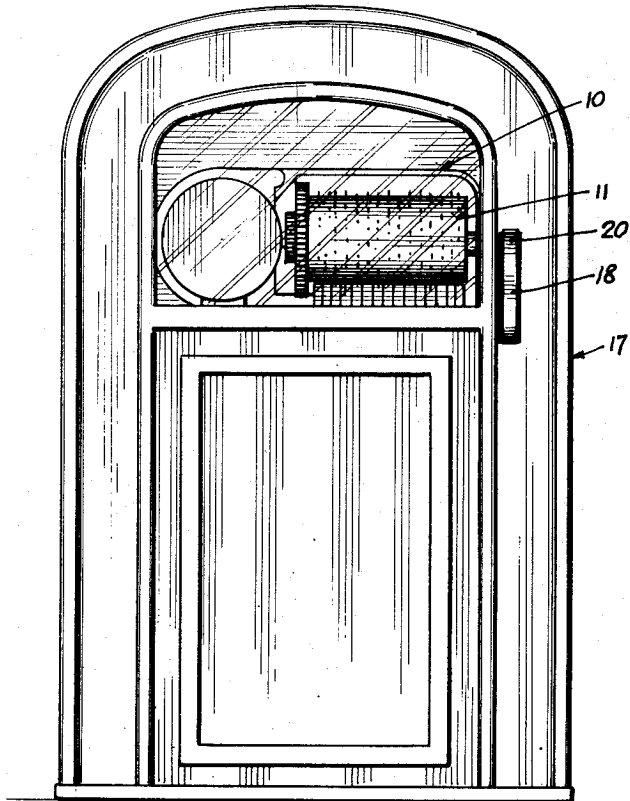
2,531,495

COMBINATION TOY BANK AND MUSIC BOX

Filed July 29, 1947

2 Sheets-Sheet 2

FIG. 4



INVENTOR.

Edmund W. Baggott

BY Mock, Blum

ATTORNEYS

UNITED STATES PATENT OFFICE

2,531,495

COMBINATION TOY BANK AND MUSIC BOX

Edmund W. Baggott, Brooklyn, N. Y., assignor to
Ideal Novelty & Toy Co., Hollis, N. Y., a corpo-
ration of New York

Application July 29, 1947, Serial No. 764,377

2 Claims. (Cl. 194—45)

1

This invention relates to musical toys, and more particularly to a combination toy bank and music box.

It is an object of the present invention to provide a musical toy having a coin-controlled music producing mechanism, the actuation of the music producing mechanism being accomplished by an exceedingly simple tripper arrangement which serves to release the control lever for said mechanism when a coin is inserted in a pivoted loader and caused to drop to the bottom of the toy housing.

Another object of the invention is the provision of a musical toy of the character indicated wherein the music producing mechanism may be shut off after insertion of a given coin and the tripper simultaneously restored to initial position for the operative restarting action of another coin simply by pulling out the coin loader fixed to the toy housing.

A further object of the invention is the provision of a musical toy simulating a miniature juke box, music box or the like and wherein the music producing mechanism is in the form of a pin-cylinder type music box works having a control lever operating with a tripper and coin loader pivoted to the toy housing for actuation by coins inserted in said loader and dropped past said tripper to a coin compartment in the bottom of the toy housing.

An additional object of the invention is the provision of a musical toy of the character indicated which may be inexpensively produced and wherein the housing, tripper and coin loader may be fabricated from a suitable plastic material in a variety of colors to enhance visual appeal.

The foregoing objects as well as additional objects and advantages of the invention will be readily apparent in the course of the following detailed description taken in connection with the accompanying drawings which illustrate a preferred embodiment of the invention and wherein:

Fig. 1 is a fragmentary side elevational view of a musical toy embodying the features of the invention illustrating the coin loader and tripper in the loading and contact positions under the influence of a coin (shown in broken outline);

Fig. 2 is a similar view showing the coin loader, tripper and the operating lever of the music-producing mechanism in playing positions after passage of the coin to depress the tripper and release the operating lever from abutment against a shoulder formed in the tripper;

Fig. 3 is a fragmentary detail taken on line 3—3 of Fig. 1;

2

Fig. 4 is a front elevational view of the toy showing the coin loader and a portion of the music-producing mechanism;

Fig. 5 is a fragmentary detail taken on line 5—5 of Fig. 1 illustrating the cooperation between the coin loader, the tripper and the control lever of the pin-cylinder music box works;

Fig. 6 is a detail view taken on line 6—6 of Fig. 5 illustrating the stopping and starting action of the control lever against the fly vanes of the pin-cylinder music box works, the stopping position being shown in full lines and the starting position being shown in dotted lines.

The music producing mechanism of the musical toy may preferably take the form of a common pin-cylinder type music box works 10 having a spring-driven rotary cylinder 11 carrying note pins which progressively strike against and vibrate the teeth or reeds 12 of a steel comb to produce musical sounds. The rotation of the cylinder 11 is controlled by a control lever 13 pivoted on the music works frame as at 14 and normally urged by a spring 15 out of abutment against the rotating fly vanes 16 to permit rotation of said cylinder. When control lever 13 is moved about its pivots 14 against the tension of spring 15 and into abutment against fly vanes 16 the rotation of cylinder 11 is interrupted to stop the production of musical sounds.

Music works 10 is preferably so mounted in the upper portion of the toy housing 17, which may be made from any suitable plastic material, that the control lever 13 extends transversely of said housing. A coin loader 18 having an open top and back is pivoted to housing 17 as at 19 in order to allow the introduction of a coin therewithin and to cooperate with the control lever 13 to shut off the music works 10 when said loader is tilted outwardly (see dotted outline in Fig. 1) as will be more fully described hereinbelow. Coin loader 18 is preferably provided with a lip or finger catch 20 to aid in tilting the loader outwardly for the insertion of a coin therewithin and is further provided with guides 21 to direct the coin in the proper downward path or channel to actuate the music works 10 when said coin loader 18 is moved back to closed position.

In order to actuate the music works 10 upon the downward passage of a coin from coin loader 18 to the coin compartment (not shown) at the bottom of housing 17, a depending tripper 22 is pivoted interiorly of said housing as at 23. Said tripper is supported at the lower end thereof by means of a lightweight tension spring 24 and is formed at its upper side with a stop-shoulder 25

against which control lever 13 normally rests in locked position to prevent operation of the music works 10. Tripper 22 is further provided at the lower end thereof with a laterally projecting lug 22a. In the passage of a coin from loader 18 to the bottom of housing 17, the coin will strike against tripper lug 22a to depress tripper 22 and release control lever 13 from abutment against stop shoulder 25, thereby allowing control lever 13 to move forwardly toward the front wall of the housing (from the position of Fig. 1 to the position of Fig. 2) and causing the music works 10 to operate by carrying the opposite end of said control lever out of abutment with fly vanes 16. The full line position of lever 13 in Fig. 6 corresponds to the locked or non-playing position of said lever in abutment against stop-shoulder 25 illustrated in Fig. 1 while the dotted line position of the lever 13 in Fig. 6 corresponds to the open or playing position of said lever shown in full circle in Fig. 2. Spring 24 exemplifies biasing means which normally urge tripper 22 upwardly. Said biasing means must be sufficiently weak to allow the weight of a dropping coin to depress said tripper upon striking lateral lug 22a.

Means is further provided for restoring control lever 13 to the locked position of Fig. 2 and shutting off music works 10 upon tilting coin loader 18 forwardly (dotted outline in Fig. 1) for the reception of another coin to complete the cycle of operations. This means may conveniently take the form of a cam lever 13a preferably formed integrally with coin loader 18 and depending from the bottom surface thereof.

Thus when the music works 10 is operating, control lever 13 will be in the forward position of Fig. 2 and out of abutment against stop shoulder 25 of tripper 22. However, by tilting coin loader 18 forwardly to receive another coin cam lever 13a will bear against said control lever to urge it rearwardly (dotted circle of Fig. 1) and stop the operation of music works 10. If a coin is not placed in coin holder 18 and said coin holder is then tilted rearwardly to closed position, control lever 13 will assume the locked position against stop-shoulder 25 of tripper 22 and the music works 10 will remain shut-off. On the other hand, if a coin has been introduced into coin holder 18 and the coin holder is then tilted back to closed position, the coin will drop and strike against lug 22a of tripper 22, thereby depressing said tripper and allowing control lever 13 to clear stop shoulder 25 and move forwardly to assume the playing position as has been previously described.

Since certain modifications may be made in the

device of the invention without departing from the scope thereof, it is intended that all matter contained in the foregoing description and shown in the accompanying drawings be interpreted merely as illustrative and not in a limiting sense.

What is claimed is:

1. A combination toy bank and music box comprising a housing having a lower coin compartment therewithin, a pin-cylinder type music works having a control lever normally urged to playing position, said music works being mounted above said coin compartment, a coin loader pivoted to said housing for introducing coins therewithin, a tripper pivoted to said housing and normally biased upwardly by biasing means, said tripper having a stop shoulder against which said control lever abuts in non-playing position, a portion of said tripper being in the path of a coin dropped from said coin loader to said coin department, whereby to depress said tripper and allow said control lever to clear said stop-shoulder and assume the playing position and cam means fixed to said coin holder for moving said control lever to the non-playing position upon tilting said coin holder forwardly.

2. A combination toy bank and music box comprising a housing having a lower coin compartment therewithin, a pin-cylinder type music works having a control lever normally urged to playing position, said music works being mounted above said coin compartment, a coin loader pivoted to said housing for introducing coins therein, a tripper pivoted to said housing and normally biased upwardly by biasing means, said tripper having a stop-shoulder against which said control lever abuts in non-playing position, said tripper having a laterally projecting lug disposed in the path of a coin dropped from said coin loader to said coin compartment, whereby to depress said tripper and allow said control lever to clear said stop-shoulder and assume the playing position and cam means fixed to said coin holder for moving said control lever to the non-playing position upon tilting said coin holder forwardly.

EDMUND W. BAGGOTT.

REFERENCES CITED

The following references are of record in the file of this patent:

UNITED STATES PATENTS

Number	Name	Date
466,586	Sueur	Jan. 5, 1892
1,089,015	Schooy	Mar. 3, 1914
1,742,984	Brasier	Jan. 7, 1930
1,981,273	Lipp	Nov. 20, 1934