

June 7, 1949.

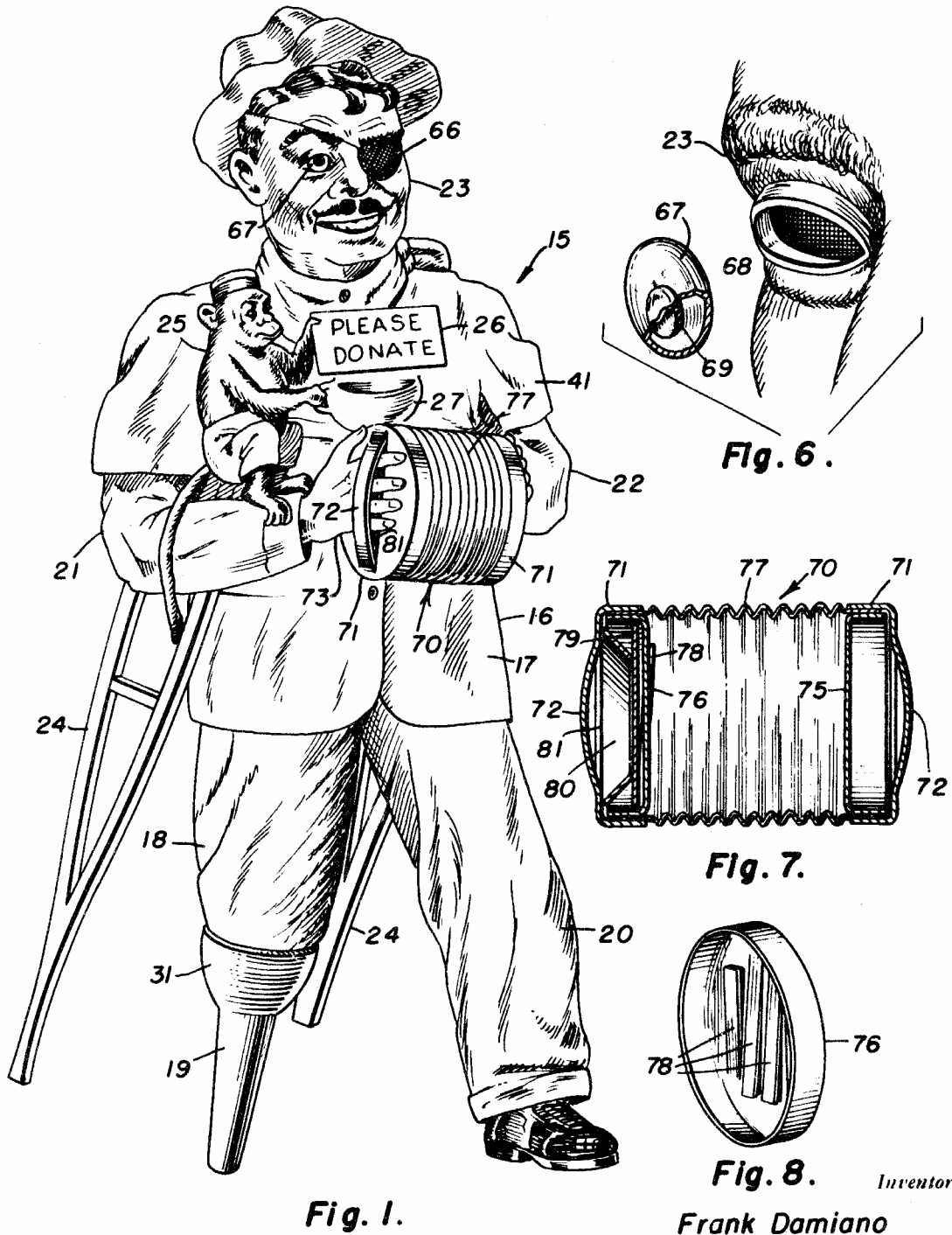
F. DAMIANO

2,472,064

TOY BANK

Filed May 14, 1947

3 Sheets-Sheet 1



By *Chance O'Brien*
and Harvey B. Jacobson
Attorneys

June 7, 1949.

F. DAMIANO

2,472,064

TOY BANK

Filed May 14, 1947

3 Sheets-Sheet 2

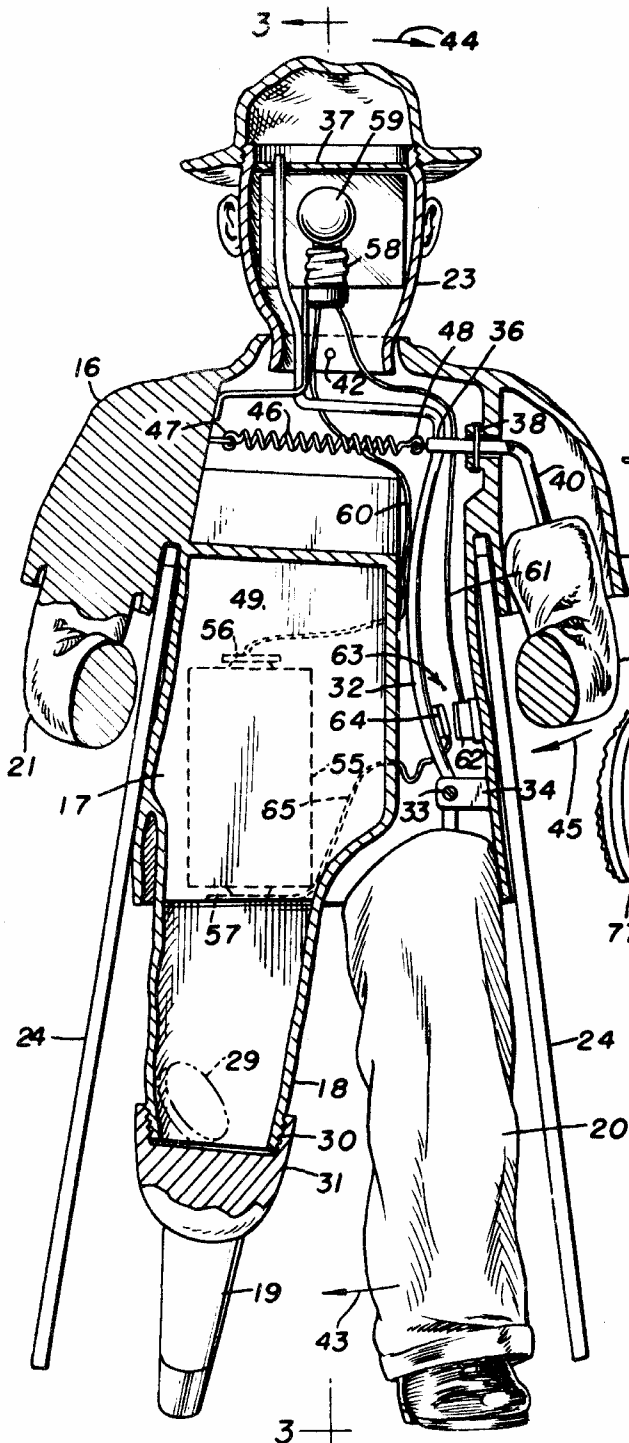


Fig. 2.

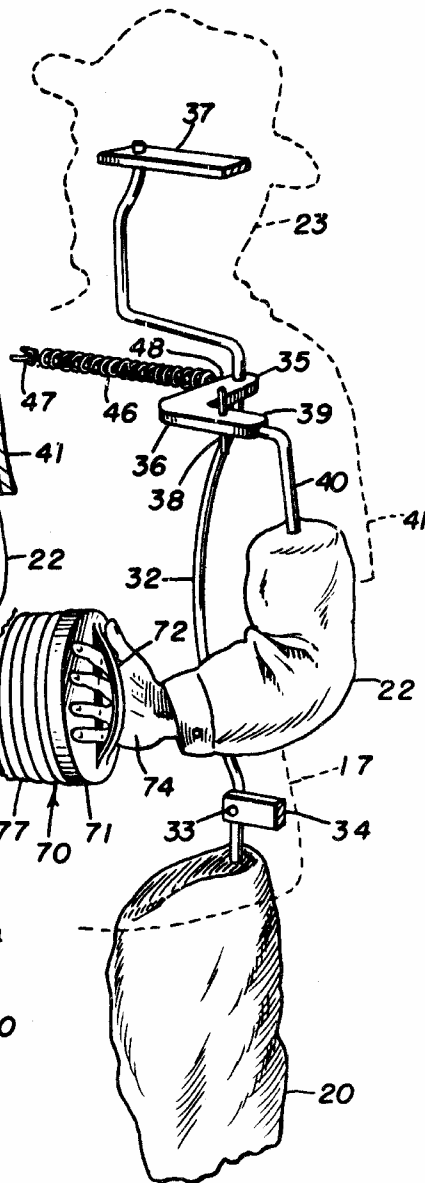


Fig. 4.

Inventor

Frank Damiano

B) *Clarence A. O'Brien*
and Harvey B. Jacobson
 Attorneys

June 7, 1949.

F. DAMIANO

2,472,064

TOY BANK

Filed May 14, 1947

3 Sheets-Sheet 3

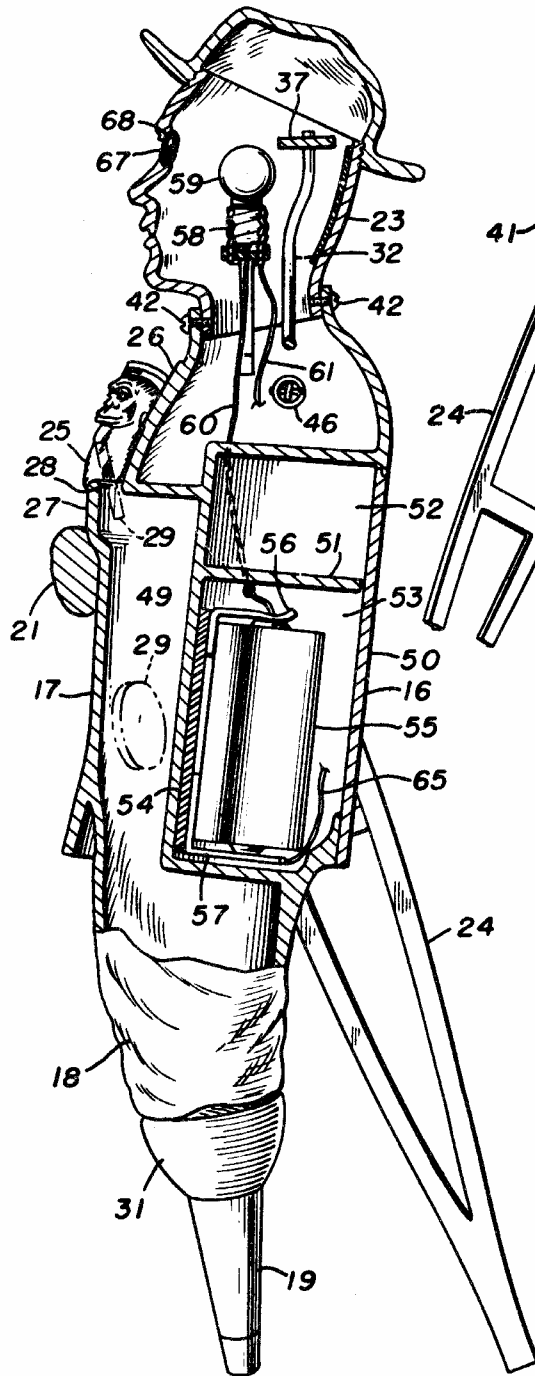


Fig. 3.

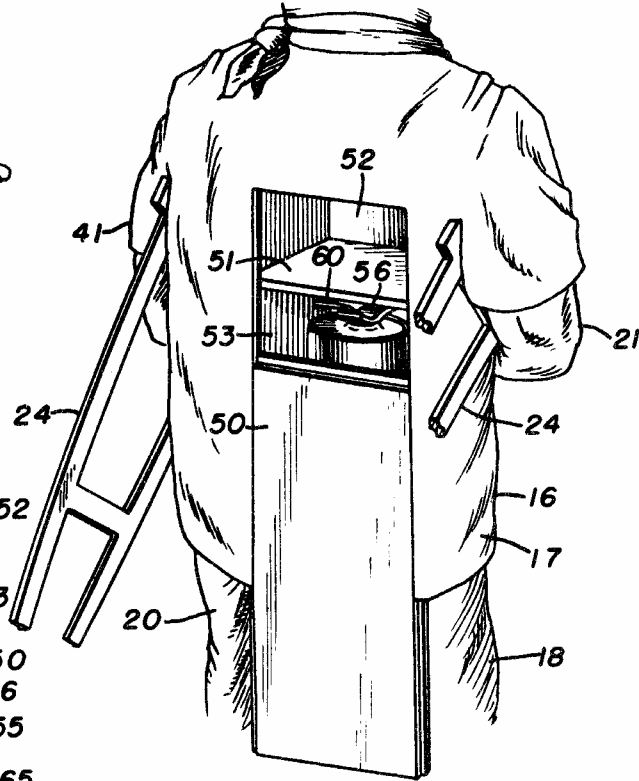


Fig. 5.

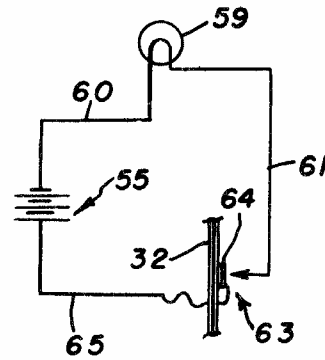


Fig. 9.

Inventor

Frank Damiano

By *Clarence A. O'Brien*
and Harvey B. Jacobson
 Attorneys

UNITED STATES PATENT OFFICE

2,472,064

TOY BANK

Frank Damiano, Newburgh, N. Y.

Application May 14, 1947, Serial No. 748,091

4 Claims. (Cl. 46-2)

1

This invention relates to new and useful improvements and structural refinements in toys, more specifically, in toy banks, and the principal object of the invention is to provide a device of the character herein described, which assumes the form of a human figurine, namely, that of a beggar, equipped with a "wooden" leg, crutches, a miniature monkey and a small, actually workable accordion.

The essence of the invention resides in a structural arrangement whereby the pressing together of the beggar's legs is accompanied by a movement of his head, rolling of an eye (only one being provided) and a movement of one arm which, coacting with the other, relatively stationary arm, presses together and thereby actuates the accordion.

In addition, the miniature monkey carries a collector cup in which coins may be positioned, so that they gravitate downwardly through the beggar's body into the "stump" of his "wooden" leg, wherefrom they may be subsequently removed by removing the "artificial" leg extension. In this manner, the stump of the leg functions as a coin receptacle or bank, as will be hereinafter more fully apparent.

A further object of the invention is to provide a toy which is realistic in appearance, and which, in addition to its primary purpose of functioning as an amusement and a saving device for children, may also be effectively employed as a novel collecting receptacle by charitable organizations, and the like.

Another object of the invention is to provide a toy in the form of a beggar which also includes in the head portion thereof an electric lamp, the latter becoming energized when the legs of the beggar are pressed together, as outlined in the opening paragraphs of this specification.

An additional object of the invention is to provide a toy which is simple in construction, which will readily lend itself to economical manufacture, and which will not easily become damaged.

With the above more important objects in view, and such other objects as may become apparent as this specification proceeds, the invention consists essentially of the arrangement and construction of parts as illustrated in the accompanying drawings, in which:

Figure 1 is a front perspective view of the invention;

Figure 2 is a vertical cross sectional view thereof;

Fig. 3 is a cross sectional view, taken sub-

2

stantially in the plane of the line 3-3 in Figure 2;

Figure 4 is a fragmentary perspective view showing the actuating mechanism used in the invention;

5 Figure 5 is a fragmentary rear perspective view of the subject shown in Figure 1;

Figure 6 is a fragmentary front perspective view of the figurine's head, emphasizing the structure of the eye socket and of the eye per se;

10 Figure 7 is a cross sectional view of the accordion used in the invention;

Figure 8 is a perspective view of the reed plate employed in the accordion, and

15 Figure 9 is a wiring diagram showing the connection of the various electrical components used in the invention.

Like characters of reference are used to designate like parts in the specification and throughout the several views.

20 Referring now to the accompanying drawings in detail, the invention consists of a toy, more specifically, a toy bank designated generally by the reference character 15, the same simulating the appearance of a beggar and embodying in its construction what may be called a human figurine representing the beggar and designated generally by the reference character 16.

25 The figurine 16 consists of a hollow torso 17, a stationary leg stump 18 equipped with a "wooden" leg extension 19, a movable leg 20, a stationary arm 21, a movable arm 22 and a movable head 23.

30 The figurine is also provided with a pair of stationary crutches 24 and is attired in a manner becoming a beggar, substantially as shown. It should be understood that the attire itself constitutes an integral part of the figurine, that is to say, the external contours of the figurine are such as to simulate the appearance of the attire, as will be clearly apparent. Needless, to say, the invention may be made from any suitable material.

35 A miniature monkey 25 is mounted on the stationary arm 21 of the figurine, the monkey carrying in one hand a suitable sign 26 and in the other hand a collector cup 27. The configuration of this cup is best shown in the accompanying Figure 3, wherein it will be noted that the cup simply assumes the form of an opening 28 40 formed in the front portion of the torso 17, through which opening coins (indicated at 29) may be inserted into the hollow interior of the torso, so that they gravitate downwardly into the leg or stump 18. The lower extremity of this stump is screw threaded as at 30 to removably 55

3

receive a similarly threaded, bell-shaped portion 31 of the extension 19. Needless to say, the lower extremity of the stump 18 is open ended, and it will be noted that the hollow interior of the stump functions as a coin receptacle, while the extension 19 constitutes what may be called a removable cover for the same. In other words, after a number of coins have accumulated in the stump 18, they may be removed therefrom by simply unscrewing the extension from the stump.

A coupling rod 32 is secured at one end thereof in the upper end of the movable leg 20, the rod 32 being pivoted medially its length as at 33 to a bracket 34 mounted in the torso 17. Thereupon the rod 32 extends upwardly and freely passes through a suitable aperture provided in one arm 35 of a bell crank 36, while the upper end portion of the rod 32 is angulated substantially as shown and freely engages a further aperture formed in a transversely extending plate 37 rigidly mounted in the head 23. The crank 36 is provided with a pivot pin 38 which is rotatably journaled in a pair of suitable brackets formed in the torso, and the remaining arm 39 of the bell crank is rigidly connected by means of a rod 40 to the aforementioned movable arm 22.

The upper end portion of this arm is movably disposed in a shoulder sleeve 41 formed integrally with the torso 17, while the head 23 is pivotally attached to the torso by means of a pair of axially aligned screws or rivets 42.

It will be found that movement of the leg 20 in the direction of the arrow 43 will be transmitted by the rod 32 to a simultaneous movement of the head 23 in the direction of the arrow 44, and at the same time, the arm 22 will be moved in the direction of the arrow 45 through the medium of the crank 36. The movement of the leg 20 in the direction 43 is, of course, achieved by simply pressing the legs 20, 19 together, and a tension spring 46 is provided for returning the leg 20 to its normal, astride position, as will be presently explained. One end of this spring is anchored to the torso 17 as indicated at 47, while its remaining end is secured as at 48 to the arm 35 of the crank 36.

Before proceeding further, it may be also explained that the upper end portion of the stump 18 extends upwardly to form what may be called a chamber 49 within the torso 17, the coin receiving opening 28 communicating with the chamber, so that the delivery of the coin into the stump 18 is assured.

The back portion of the torso 17 is equipped with a sliding door panel 50, whereby access may be had to a chamber provided in the torso and separated by a partition 51 into a pair of compartments 52, 53.

The compartment 52 is relatively smaller with respect to the compartment 53 and functions as a storage receptacle for dollar bills, or the like, which cannot be satisfactorily accommodated in the aforementioned stump 18.

The compartment 53, on the other hand, is equipped with a suitable mounting block 54 adapted to receive a storage battery or dry cell 55, the poles of the latter normally contacting resilient contact members 56, 57 with which the block 54 is provided.

A suitable lamp socket 58, equipped with an incandescent lamp 59, is mounted in any suitable manner in the head 23, one terminal of the lamp being in circuit with the contact member 56 through the medium of a conductor 60.

4

The remaining terminal of the lamp is connected by means of the conductor 61 to a contact piece 62 of an electric switch 63, the contact piece 62 being rigidly secured in the torso 17. A coacting contact piece 64 of the switch 63 is secured to the aforementioned rod 32 and is in circuit with the contact member 57 by means of a conductor 65. Matters are so arranged that the contacts 62, 64 are normally separated by the resiliency of the aforementioned spring 46, but the contacts are brought together and the switch 63 is thereby closed, when the leg 20 is moved in the direction of the arrow 43. In this manner, the lamp 59 will be energized concurrently with the actuation of the figurine, as will be clearly apparent.

One eye of the figurine is "covered" as indicated at 66, while the remaining eye assuming the form of a hollow, transparent disk 67 is secured in a suitable socket 68 with which the head 23 is provided. The eye disk 67 contains a freely movable pellet 69, whereby the eye will create the impression of "rolling" when the head 23 is moved during the actuation of the figure. By virtue of the transparency of the disk 67, light rays emanating from the lamp 59 will be visible through the eye, as will be readily appreciated.

Finally, attention is directed to a miniature, workable accordion designated generally by the reference character 70 which is positioned between the arms 21, 22 of the figurine.

This accordion is provided at each end thereof with an outer, flanged plate 71 formed with a struck out handle or band 72, whereby it may be conveniently attached to the respective hand (73 or 74). An inner flanged plate 75 is provided in one of the outer plates 71, while a flanged reed plate 76 is positioned in the remaining of the outer plate. Suitable bellows 77 formed from flexible material is secured between the plates 71, 75 and 71, 76, as is best shown in Figure 7.

The reed plate 76 is formed with a plurality of struck out vibrating reed members 78, and a cardboard disk 79 is positioned in the plate 76 adjacent the reed members, as will be clearly apparent. The disk 79 is retained in position by means of a split, substantially frusto-conical spring member or washer 80, which is interposed between the disk 79 and the adjacent of the plates 71.

The provision of the struck out handle or strap 72 in the plate 71 adjacent the reed 76 results in the formation of an opening 81 through which the sound of the accordion, that is sound resulting from the vibration of the reeds, is heard.

The accordion is, of course, actuated each time the arm 22 is moved in the direction of the arrow 45, during which action the accordion is compressed between the arms 21, 22.

It is believed that the advantages and use of the invention will be clearly apparent from the foregoing disclosure and accordingly, further discussion thereof at this point is deemed unnecessary.

While in the foregoing there has been shown and described the preferred embodiment of this invention it is to be understood that minor changes in the details of construction, combination and arrangement of parts may be resorted to without departing from the spirit and scope of the invention as claimed.

What I claim as my invention is:

1. A toy comprising a human figurine having a movable leg, a movable arm and a movable

5

head operatively connected together, said figurine including an eye, an electric lamp in the head of said figurine, the light from said lamp being visible through said eye, an accordion carried by said figurine, said accordion being connected to said arm and being actuated by the movement of said leg, and an electric switch in circuit with said lamp, said switch being alternately opened and closed by the movement of said leg.

2. A toy comprising in combination, a human figurine comprising a hollow torso, a stationary leg and a movable leg, a stationary arm and a movable arm, and a movable head, a bell crank pivoted in said torso, a coupling rod secured to said movable leg, said rod being operatively connected to one limb of said crank and to said head, the remaining limb of said crank being secured to said movable arm, and an accordion secured at each end thereof to one of said arms.

3. The device as defined in claim 2 together with an electric lamp positioned in said head, an electric battery in said torso, and a switch operatively associated with said rod, said switch being in circuit with said battery and with said lamp, said head including a transparent eye, and the light from said lamp being visible through said eye.

4. In a toy bank, the combination of a human figurine including a hollow torso, a stationary leg stump extending into said torso and provided with a receptacle, a back portion of said

6

torso constituting an openable cover for said receptacle, a movable leg, a stationary arm and a movable arm, and a movable head, a bell crank pivoted in said torso, a coupling rod secured to said movable leg, said rod being operatively connected to one limb of said crank and to said head, the remaining limb of said crank being secured to said movable arm, an accordion secured at each end thereof to one of said arms, an electric lamp positioned in said head, an electric battery in said receptacle, a switch operatively associated with said rod, said switch being in circuit with said battery and with said lamp, said head including a transparent eye, the light from said lamp being visible through said eye, and a spring connected to said rod for normally retaining said switch in an open position.

FRANK DAMIANO.

REFERENCES CITED

The following references are of record in the file of this patent:

UNITED STATES PATENTS

Number	Name	Date
385,225	Bailey -----	June 26, 1888
595,749	Wonders -----	Dec. 21, 1897
610,291	Thorens -----	Sept. 6, 1898
1,300,361	Edelman -----	Apr. 15, 1919
1,992,477	Domowitch et al.	Feb. 26, 1935
2,310,037	Reno -----	Feb. 2, 1942