

160

April 9, 1946.

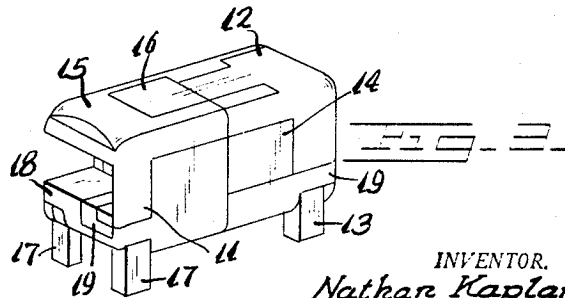
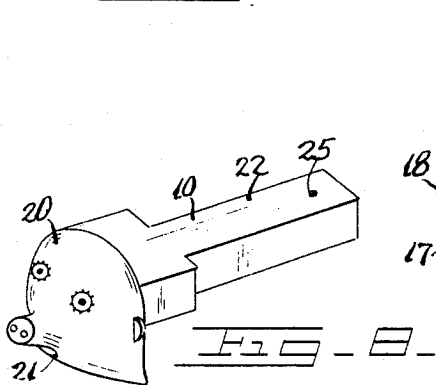
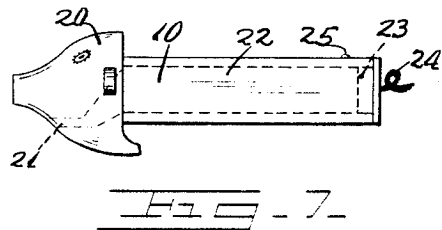
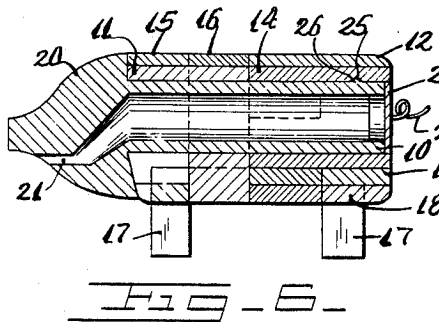
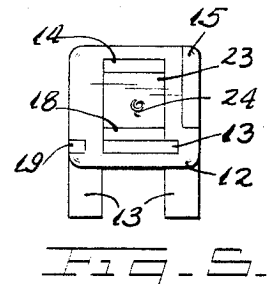
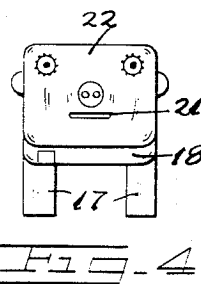
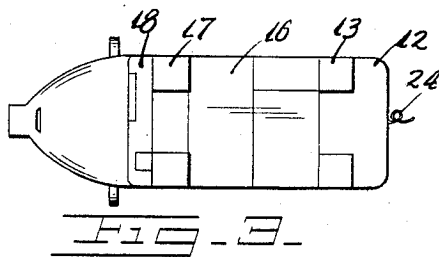
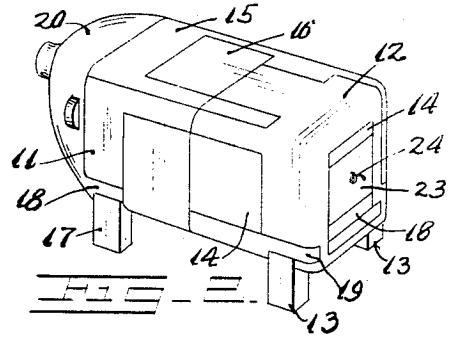
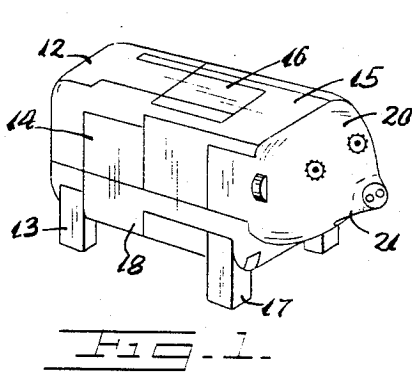
N. KAPLAN

2,398,011

PUZZLE BANK TOY

Filed Aug. 16, 1944

2 Sheets-Sheet 1



INVENTOR.  
*Nathan Kaplan*  
 BY  
*Jordan H. Holack*  
 ATTORNEY.

160

April 9, 1946.

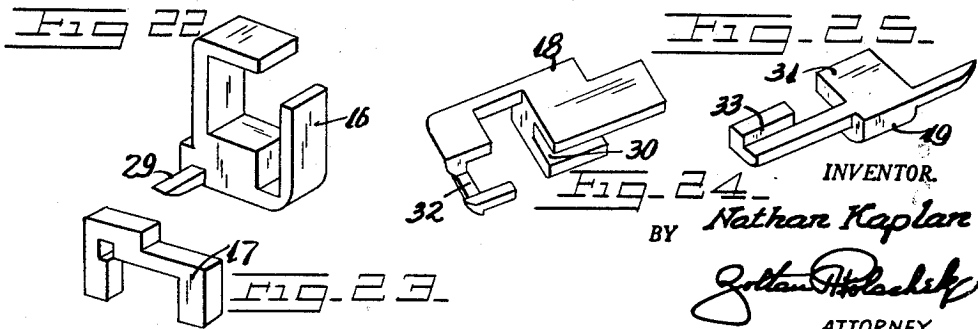
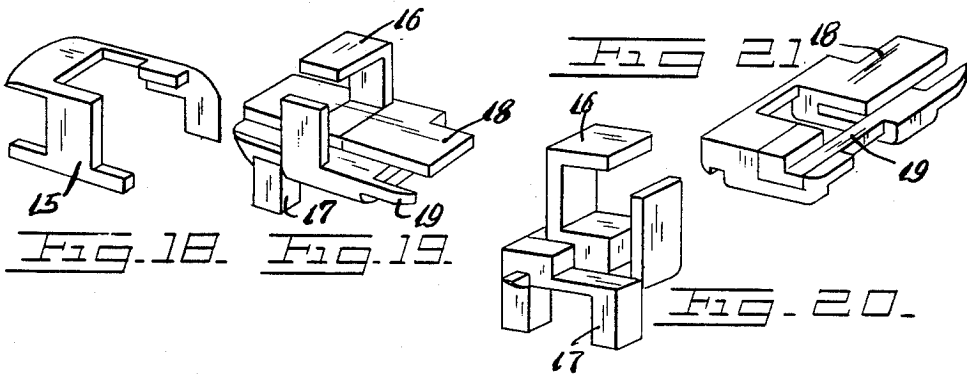
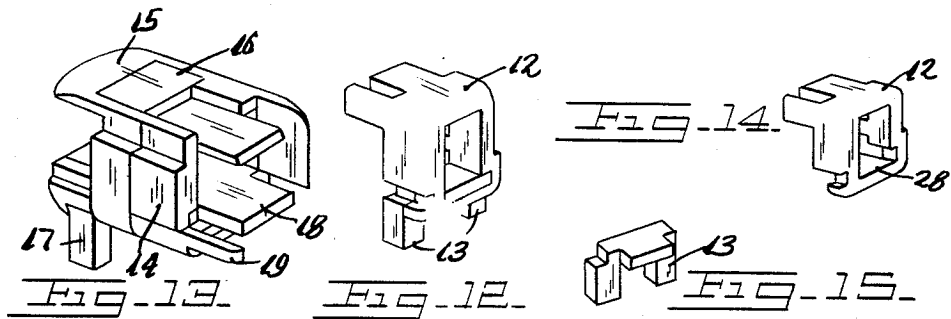
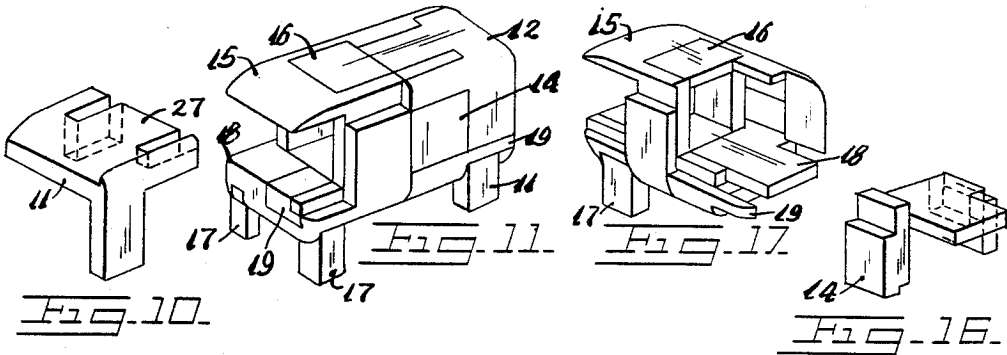
N. KAPLAN

2,398,011

PUZZLE BANK TOY

Filed Aug. 16, 1944

2 Sheets-Sheet 2



INVENTOR.  
*Nathan Kaplan*  
 BY *Jordan Holack*  
 ATTORNEY.

160

Patented Apr. 9, 1946

2,398,011

# UNITED STATES PATENT OFFICE

2,398,011

## PUZZLE BANK TOY

Nathan Kaplan, Brooklyn, N. Y.

Application August 16, 1944, Serial No. 549,751

6 Claims. (Cl. 273-161)

This invention relates to new and useful improvements in a puzzle bank toy.

More specifically, the invention proposes the construction of a take apart toy made of many complexly interfitting and interlocked parts so that the parts, when disassembled, constitute a puzzle taxing a person's ingenuity to reassemble them to form the complete toy.

Still further, it is proposed to provide a toy as aforesaid which, when put together, resembles a pig or other familiar object.

Still another object of the present invention is to provide a toy as aforesaid having a chamber forming a bank, with an opening at one end, forming a slot for the insertion of coins.

For further comprehension of the invention, and of the objects and advantages thereof, reference will be had to the following description and accompanying drawings, and to the appended claims in which the various novel features of the invention are more particularly set forth.

In the accompanying drawings forming a material part of this disclosure:

Fig. 1 is a front perspective view of a toy pig constructed in accordance with this invention.

Fig. 2 is a rear perspective view of the toy.

Fig. 3 is an inverted plan view of the toy.

Fig. 4 is a front view of the toy.

Fig. 5 is a rear view of the toy.

Fig. 6 is a longitudinal central sectional view of the toy.

Fig. 7 is a side view of the first removable part of the toy.

Fig. 8 is a front perspective view of the first removable part of the toy.

Fig. 9 is a perspective view of the remainder of the toy after the first removable part has been removed.

Fig. 10 is a perspective view of the second removable part of the toy.

Fig. 11 is a perspective view of the remainder of the toy after the second removable part has been removed.

Fig. 12 is a perspective view of the third and fourth removable parts of the toy associated together.

Fig. 13 is a perspective view of the remainder of the toy after the third and fourth removable parts have been removed.

Fig. 14 is a perspective view of the third removable part of the toy.

Fig. 15 is a perspective view of the fourth removable part of the toy.

Fig. 16 is a perspective view of the fifth removable part of the toy.

Fig. 17 is a perspective view of the remainder of the toy after the fifth removable part has been removed.

Fig. 18 is a perspective view of the sixth removable part of the toy.

Fig. 19 is a perspective view of the remainder of the toy after the sixth removable part has been removed.

Fig. 20 is a perspective view of the seventh and eighth removable parts of the toy associated together.

Fig. 21 is a perspective view of the remainder of the toy after the seventh and eighth removable parts have been removed.

Fig. 22 is a perspective view of the seventh removable part of the toy.

Fig. 23 is a perspective view of the eighth removable part of the toy.

Fig. 24 is a perspective view of the ninth removable part of the toy.

Fig. 25 is a perspective view of the tenth part of the toy.

The toy pig shown in the drawings, exemplifying a toy constructed in accordance with this invention, is only one example of such a toy and it will be understood that toys representing many other animals and objects may be made in accordance with this invention. The various parts of the toy may be made of plastic, wood or of other suitable material.

The toy pig shown in the drawings is made of ten separate parts, indicated by the numerals 10-19 respectively in the order in which they are disassembled when taking the pig apart. The parts interfit in accordance with a very complex pattern so that the pig is a puzzle, taxing the ingenuity of children and adults when trying to put the pig back together again. Each of the parts of the pig is designed so that it is strong so that the parts will not be broken when children try to force them into place improperly, and also so that the parts will fit neatly together without leaving spaces between parts in the assembled pig. The assembled pig is a rigid, solid structure having no tendency to fall apart. The parts of the pig will be described in the order in which the pig may be disassembled.

The pig is shown in Figs. 1-5 with all parts assembled. The pig has a head 20 in which is formed a mouth 21 opening into the head and forming a slot for receiving coins, the pig also being a bank besides being a puzzle, as will presently appear.

To take the first part of the pig out, the head 20 is seized and pulled straight longitudinally relative to the rest of the pig, until it is separated therefrom. This first removable part 10 is best shown in Fig. 8. Besides the head 20, it includes a long rectangular tubular body 22 which is hollow forming a receptacle for coins, the hollow interior of the body 22 being in communication with the mouth 21 as is best shown in Fig. 6. The rear end of the body 22 is closed by a removable plug 23, having as a handle, the pig's tail 24. Means are provided for yieldingly resisting the taking of part 10 from the rest of the pig. This means thus tends to hold the pig together, as a unit. The means consists of a spring-pressed ball 25 secured to the top of the rear end of the body 22 coacting with a recessed member 26 secured to the bottom face of part 14 opposite ball 25. The remainder of the pig, after the removal of part 10, is shown in Fig. 9. It will be noted that this remainder stays together as a unit and has a central chamber for the body 22. Body 22 supports the other nine parts of the pig, maintaining them in a self-sustained unit.

Part 11 is then removed by a straight longitudinal pull, this part being best shown in Fig. 10 and the remainder of the pig in Fig. 11. Part 11 is locked in place by the head 20 and body 22 of part 10. Part 11 has a central tongue 27 which slides under part 16 locking it in place.

Next parts 12 and 13 are removed as a unit (see Fig. 12) by a straight longitudinal pull, part 13 being supported on a tongue 28 of part 12. Parts 12 and 13 come apart easily by a straight relative longitudinal movement, part 12 being best shown in Fig. 14 and part 13 in Fig. 15. The remainder of the pig is shown in Fig. 13. Part 13 includes the rear legs of the pig.

Part 14, best shown in Fig. 16, is removed by a lateral movement through the side of the pig at the front in Fig. 9. The remainder of the pig is shown in Fig. 17.

Part 15, best shown in Fig. 18, is removed by lifting it vertically upward. The remainder of the pig is shown in Fig. 19.

Parts 16 and 17, shown together in Fig. 20, may be removed by dropping them vertically, the parts leaving the rest of the pig as a unit, part 17 being carried on a finger 29 of part 16. Part 16 is best shown in Fig. 22 and part 17 in Fig. 23. Part 17 includes the front legs of the pig. The remainder of the pig, consisting of parts 18 and 19, is shown in Fig. 21. Parts 18 and 19 are shown in Figs. 24 and 25 respectively. Part 18 has a groove 30 supporting a tongue 31 of part 19 and a strip 32 supporting the front 33 of part 19.

The toy pig, as just described, is an attractive ornament or curio suitable for placing in a curio corner, on a what-not or in a similar place. It also forms a puzzle toy for affording amusement to both children and adults in the puzzling characteristics of its intricate structure when being assembled. It further provides a very amusing piggy bank for children for saving pennies and other small coins, the pennies stacking in the body 22 which has an inside diameter just right for supporting pennies or dimes in a stack. It is a feature of the toy that coins can be placed in the bank through the pig's mouth and removed therefrom by means of the plug 23 without taking the pig apart.

No attempt has been made to describe in de-

tail the intricate configurations of each of the ten parts of the pig as these parts are clearly shown in the drawings and it is not believed a description thereof would add anything to an understanding of the shape of the parts in addition to the showing in the drawings. Suffice it to say that each part is designed so that it may be easily moulded in plastic and so that it will fit closely with its associated parts.

While I have illustrated and described the preferred embodiments of my invention, it is to be understood that I do not limit myself to the precise constructions herein disclosed and the right is reserved to all changes and modifications coming within the scope of the invention as defined in the appended claims.

Having thus described my invention, what I claim as new, and desire to secure by United States Letters Patent is:

1. A puzzle toy animal, or any other familiar object bank comprising a part having a hollow interior for receiving coins, a slot opening into said interior, and an opening closed by a removable plug for taking said coins out of said part, and other parts interlocking with said first mentioned part to form a self-sustained solid unit in the shape of an animal, or any other familiar object, said first mentioned part supporting all of said parts against disassemblage, and each part tending to support in interlocking fashion all related and adjacent parts.

2. A piggy or any other familiar object bank comprising a head having a mouth, a body secured to said head having a hollow interior opening at one end to said mouth for receiving coins and being closed at its other end by a removable plug providing access to said interior for the removal of said coins, and a plurality of other parts interlocked together and to said body and head to form a pig or any other familiar object, said body and head supporting all of said parts against disassemblage.

3. A piggy or any other familiar object bank comprising ten interlocked parts, one of said parts supporting the rest of said parts in interlocked relation, said one of said parts including a head exterior to said rest of said parts and a tubular body extending through the center of said rest of said parts, said head having a mouth opening into said tubular body for insertion of coins, and said tubular body being closed at its end remote from said head by a removable plug providing access to said tubular body for removal of said coins.

4. A piggy or any other familiar object bank comprising nine irregular entirely differently shaped parts interfitted and interlocked in three adjacent dimensional planes to form a headless pig provided with a hollow interior, and a tenth part including a tubular body disposed in said hollow interior and support said nine parts in assembled relation, and a head secured at one end of said tubular body, said head having a mouth opening into said tubular body providing a slot for inserting coins in said tubular body, and a plug removably secured in the other end of said tubular body adapted to provide access to said tubular body for removal of said coins.

5. A receptacle comprising a part having a hollow interior for receiving articles, a slot opening into said interior, and an opening closed by a removable plug for taking said articles out of said part, and other parts interlocking with said first mentioned part to form a self-sustained unit

160

2,398,011

3

In the shape of an animal, said first mentioned part supporting all of said parts against disassemblage, and yielding means on said first mentioned part coacting with a mating means on an adjacent part for resisting disassemblage of said first mentioned part from the remainder of said receptacle.

6. A puzzle toy comprising a locking part, and other parts interlocking with said first men-

tioned part to form a self-sustained unit, said first mentioned part supporting all of said parts against disassemblage and yielding means on said first mentioned part coacting with a mating means on an adjacent part for resisting disassemblage of said first mentioned part from the remainder of said puzzle toy.

NATHAN KAPLAN.