

Sept. 20, 1932.

W. C. WOOD

1,878,616

TOY TELEPHONE AND BANK

Filed March 18, 1932

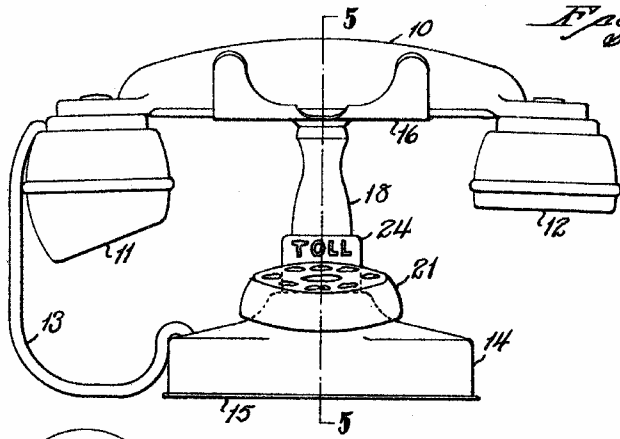


Fig. 1.

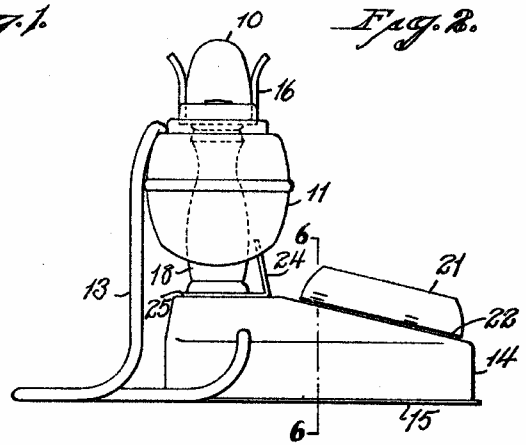


Fig. 2.

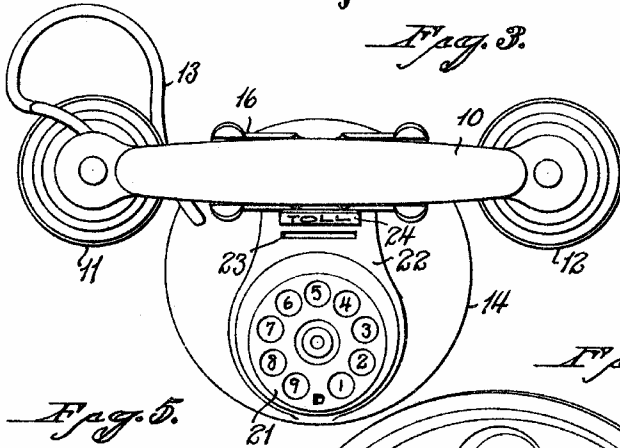


Fig. 3.

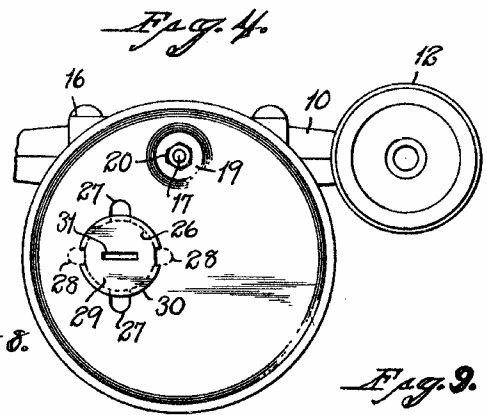


Fig. 4.

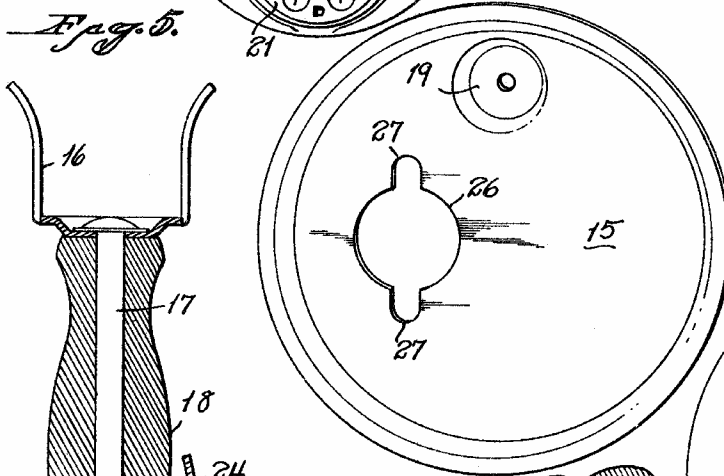


Fig. 5.

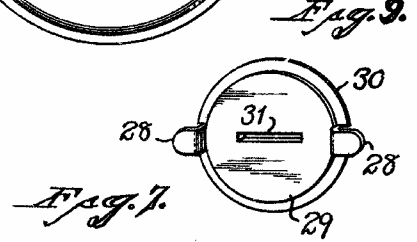


Fig. 6.

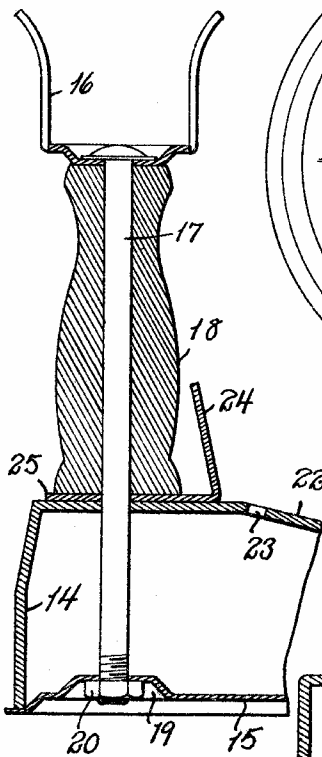


Fig. 7.

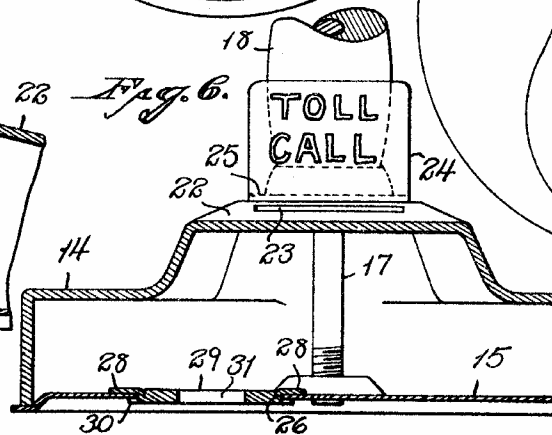


Fig. 8.

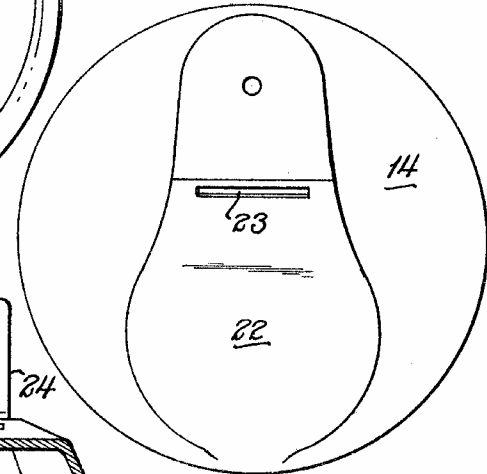


Fig. 9.

Inventor
 William C. Wood
 Seymour E. Nichols
 Atty.

UNITED STATES PATENT OFFICE

WILLIAM C. WOOD, OF EAST HAMPTON, CONNECTICUT, ASSIGNOR TO THE N. N. HILL BRASS COMPANY, OF EAST HAMPTON, CONNECTICUT, A CORPORATION

TOY TELEPHONE AND BANK

Application filed March 18, 1932. Serial No. 599,664.

My invention relates to an improved toy telephone and bank, the object being to produce, at a minimum cost, an attractive and durable toy of the character described which will closely simulate in appearance and operation a standard desk-telephone set.

In the accompanying drawing:
Fig. 1 is a view in front elevation of one form which a toy telephone and bank constructed in accordance with my invention may assume;

Fig. 2 is a view thereof in side elevation;

Fig. 3 is a plan view thereof;

Fig. 4 is an underside view thereof, one end of the telephone being broken away;

Fig. 5 is an enlarged sectional view on the line 5-5 of Fig. 1;

Fig. 6 is an enlarged view on the line 6-6 of Fig. 2;

Fig. 7 is a detached plan view of the base-body of the toy, which base-body, together with the base-plate thereof, forms a coin-receptacle;

Fig. 8 is a detached perspective view of the base-plate of the toy; and

Fig. 9 is a detached perspective view of the rotatable disk-shaped closure mounted in the base-plate for the removal of the money from the coin-receptacle.

In carrying out my invention as herein shown, I employ an ordinary bowed hand-grip 10 provided at its respective ends with a toy transmitter 11 and a toy receiver 12, the former being connected by a cord 13 with the circular horizontally-arranged hollow base-body 14, the open bottom of which is closed by a circular base-plate 15, the said base-body and base-plate forming a combined toy-base and bank or coin-receptacle. The hand-grip 10, carrying the toy transmitter 11 and toy receiver 12, normally rests in a horizontal position in a yoke or cradle 16 secured in place by a bolt 17 passing downwardly through it, through an upright post 18, through the rear portion of the base-body 14 and through the base-plate 15, which latter is struck upward as at 19 to form a recess receiving a nut 20, by which the said parts are firmly held together. The toy dial-unit 21, which may be of any suitable construction,

so long as it answers the general purposes of imitative dialing, is mounted upon the upper surface of a forwardly-inclined platform 22 formed by suitably striking up the upper face of the base-body 14.

Directly back of the dial-unit, the platform 22 is formed with a coin-slot 23, immediately back of which rises the rearwardly-inclined upper arm 24 of a two-armed flat sheet-metal coin-guide, the perforated lower arm 25 of which rests directly upon the rear portion of the platform 22 and is held in position by the lower end of the post 18 and the bolt 17, which latter passes downward through its perforation.

Preferably and as shown, the rearwardly-inclined upstanding upper arm 24 of the coin-guide displays upon its forward face the words "Toll call," as shown in Figs. 1 and 6, or words of corresponding import. As thus constructed and arranged, the upper arm of the coin-guide, with its legend, is located between the dial-unit and the front face of the base of the post 18 and not only guides and directs the coin into the coin-slot, but also directly faces the child when dialing and adds to the illusion created by the toy.

Coins inserted into the slot 23 and directed and guided thereto by the coin-guide are accumulated in the combined toy-base and bank, as described. For the removal of the coins accumulated in the bank, the base-plate coin-opening 26 having oppositely-located notches 27 which respectively receive retaining-hooks 28 extending in opposite directions from the edge of a rotatable circular closure 29 adapted to fit into the opening 26 and having a retaining-flange 30 bearing upon the lower face of the base-plate 15. The closure is furnished with a slot 31 for the reception of a screw-driver or knife-blade or corresponding instrument, by which the closure is turned for locking it in place, or removing it, being held in its locking position by the engagement of the retaining-fingers 28 with the upper face of the base-plate, and the engagement of its flange 30 with the lower face thereof, on the rotation of the closure, after it has been applied to the plate over the open-

ing 26 therein, with its fingers 28 in registration with the notches 27 thereof. But other means for access to the interior of the bank for the removal of the coin contained therein may be employed, the particular means herein shown forming no part of my present invention. Furthermore, although my invention is herein shown as embodied in a toy telephone of the so-called "continental" type, it may also be embodied in a toy telephone of the commoner American type, in which the toy transmitter is located at the top of a post and the toy receiver is suspended from a hook carried thereby.

I would, therefore, have it understood that I do not limit myself to the exact construction herein shown and described, but hold myself at liberty to make such departures therefrom as fall within the spirit and scope of my invention.

I claim:

1. In a toy telephone, the combination with a horizontally-arranged combined toy-base and bank having a coin-slot formed in its upper face, of a dial-unit superimposed flatwise directly upon the said combined toy-base and bank at a point in front of the said coin-slot, a post rising from the said combined toy-base and bank at a point back of the said dial-unit and slot, a combined hand-grip, toy-transmitter and toy-receiver, means located at the top of the post for supporting the same, a coin-guide interposed between the top of the combined toy-base and bank and the bottom of the said post, and a bolt passing downwardly through the said support, post, coin-guide and combined toy-base and bank, whereby the said parts are held together.

2. In a toy telephone, the combination with a horizontally-arranged toy-base and bank having a coin-slot formed in its upper face, of a dial-unit superimposed flatwise directly upon the said combined toy-base and bank in front of the said coin-slot, a post rising from the said combined toy-base and bank at a point back of the said dial-unit and coin-slot, a combined hand-grip, toy-transmitter and toy-receiver, a support therefor located upon the top of the said post, a two-armed coin-guide, one arm of which rises back of the coin-slot and the other of which is interposed between the top of the said combined toy-base and bank and the bottom of the post, and a bolt for uniting the said support, post, coin-guide and combined toy-base and bank.

In testimony whereof, I have signed this specification.

W.M. C. WOOD.