

May 12, 1931.

A. C. BALSON

1,804,733

TOY BANK

Filed March 6, 1929

Fig. 1.

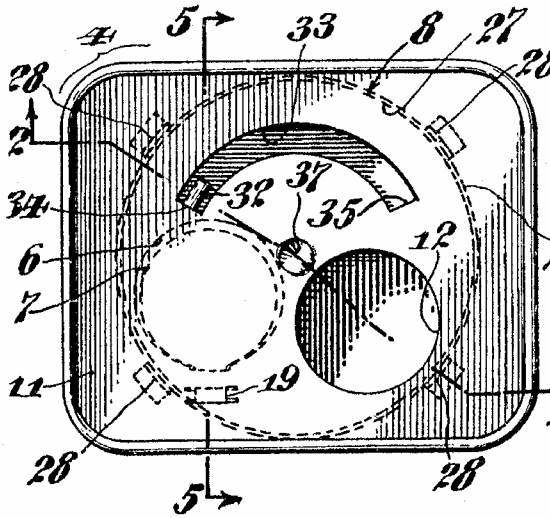


Fig. 2.

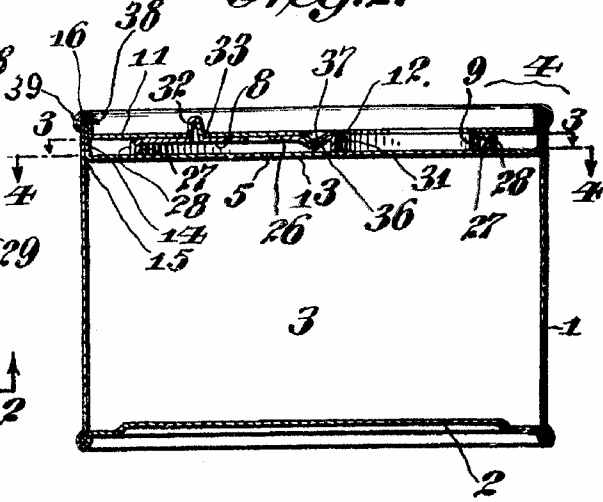


Fig. 3.

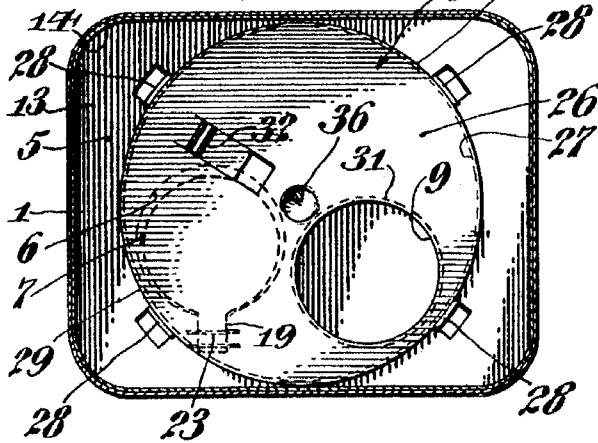


Fig. 5.

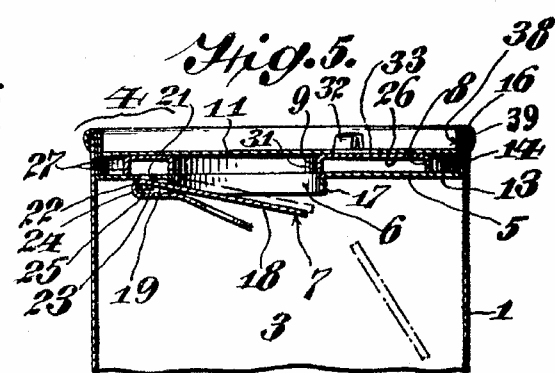


Fig. 4.

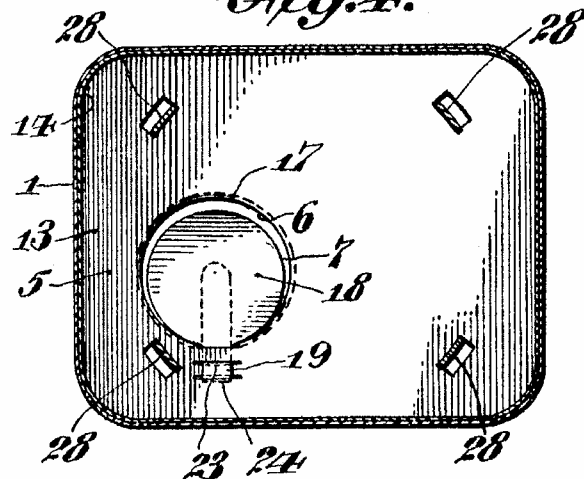
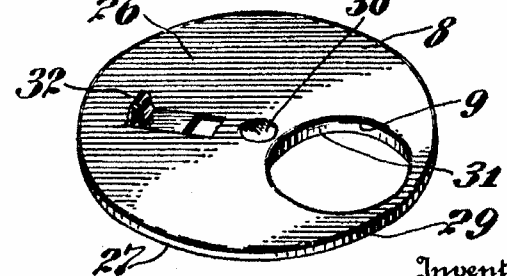


Fig. 6.



Inventor

Adrian C. Balson

By

Cyrus S. Anderson

Attorney

porting member 5. The coin opening 9 is provided with a depending circular flange 31 which may be formed at the time the opening 9 is stamped in the actuating member 8. The flange 31 thus defines a shoulder, which completely encircles a coin inserted in the opening 9 and assures the positive movement of the coin when the actuating member 8 is turned.

The coin-actuating member 8 may be moved by means of an integral shoulder or so-called "finger-piece" 32 which extends up through an arcuate slot 33 in the outer cover member 11 concentric with the axis of movement of the actuating member 8. The length of the slot 33 is such that when the finger-piece 32 engages one end 34 of the arcuate slot 33, the coin-receiving opening 9 of the actuating member 8 is in alinement with the coin-receiving opening 12 in the outer cover member 11; but when the finger-piece 32 engages an opposite end 35 of the slot 33, the coin-receiving opening 9 of the member 8 registers with the coin-discharging opening 6 of the inner cover member 5.

My invention contemplates not only the centering of the coin-actuating member 8 with respect to the inner coin-supporting member 5 but also with respect to the outer cover member 11. To this end, I depress a central portion of the coin-actuating member 8, so as to form a recess 36 directly in the axis of rotation of the actuating member 8. The outer cover member 11 is formed with a similar depressed portion which defines a shoulder 37 adapted to fit in the central recess 36 in the member 8. Hence, the proper centering of these two members is assured.

The outer member 11, which is formed of a flat sheet-metal stamping, is provided with an upright peripheral flange portion 38, which is seated against the flange 14 of the inner coin-supporting member. The flange 38 is provided with a folded-back portion 39 that extends around the corresponding portion 16 of the inner member 5, thereby supporting the member 11 in desired spaced relation to the inner member 5. The folded-back portions 16 and 39 of the flanges 14 and 38, respectively, may be crimped against the edge portion of the wall 1 in the usual manner.

Assuming the finger-piece 32 to be in the position shown in Fig. 1, a coin may be inserted in the opening 9 of the coin-actuating member 8, through the opening 12 in the outer cover member 11. The finger-piece 32 is then moved from the end 34 of the slot 33 to the opposite end 35, thereby causing the shoulder 31 of the member 8 to actuate the inserted coin over the upper side of the coin-supporting member 5 into alinement with the coin-discharge opening 6, where it drops through the same onto the door 7,

as shown in Fig. 5. The coin now moves from the door 7 into the chamber 3. Reverse movement of the coin, once it is deposited in the chamber 3, is prevented by reason of the fact that the door 7 moves to close the coin opening 6 when the position of the bank is inverted or when a coin is forced against the inner side of the door 7.

While I have shown only one form of embodiment of my invention, it is apparent that various changes and modifications may be made therein without departing from the spirit of my invention, and I desire, therefore, that only such limitations shall be imposed thereon, as are indicated in the appended claims or as are demanded by the prior art.

Having thus described my invention, what I claim and desire to secure by Letters Patent is:

1. A toy bank comprising a pair of relatively movable members respectively provided with coin-receiving and discharge openings, and means for maintaining said members in predetermined relation, said means comprising a plurality of guiding shoulders upon one of said members in engagement with the other member.

2. In a toy bank, the combination with a pair of relatively movable sheet-metal members respectively provided with coin-receiving and discharge openings, of means for maintaining said members in predetermined relation, comprising a plurality of integral shoulders formed on one of said members and positioned in guiding relation to the edge of the other of said members.

3. A toy bank of the character described comprising, in combination, a pair of relatively movable members provided with coin openings movable into and out of registry, and means for maintaining said members in predetermined relation, said means including a plurality of struck-up guiding shoulders positioned to engage the periphery of one of the said relatively movable members.

4. In a bank, the combination with a pair of relatively movable members respectively provided with coin openings, one of said members being provided with a peripheral flange, of a plurality of shoulders carried by the other of said members and engaging said peripheral flange to guide said first named member.

5. A toy bank provided with a coin-actuating member having a coin opening and a cover member for said coin-actuating member, one of said members having a recess and the other being provided with a projecting portion fitting in said recess, whereby said members may be centered.

6. A toy bank provided with a rotatable coin-actuating member, a cover member, one of said members having a recess positioned

70

75

80

85

90

95

100

105

110

115

120

125

130

UNITED STATES PATENT OFFICE

ADRIAN C. BALSON, OF PHILADELPHIA, PENNSYLVANIA

TOY BANK

Application filed March 6, 1929. Serial No. 344,682.

My invention relates to banks and, particularly to toy banks, such, for example, as is disclosed in my co-pending application, Serial No. 336,782, filed February 1, 1929.

One object of my invention is to provide a toy bank characterized by the fact that a coin inserted in the bank may not be withdrawn through the coin opening thereof.

Another object of my invention is to provide a toy bank of simple, efficient and compact design, the several parts of which may be readily made on existing automatic machinery, and assembled with a minimum expenditure of time and of money.

With these and other objects and applications in mind, my invention further consists in the details of construction and arrangement, hereinafter described and claimed and illustrated in the accompanying drawings, wherein

Fig. 1 is a top-plan view of a toy bank embodying my invention, the coin-actuating member being shown in registry with the coin-receiving opening in the outside cover member;

Fig. 2 is a vertical sectional view taken on the line 2—2 of Fig. 1;

Figs. 3 and 4 are horizontal sectional views taken on the lines 3—3 and 4—4, respectively, of Fig. 2;

Fig. 5 is a vertical sectional view taken on the line 5—5 of Fig. 1, showing coins in the act of being deposited in the bank; and

Fig. 6 is a perspective view of the coin-actuating member.

Referring to the drawings, the toy bank therein shown comprises sheet-metal side and bottom walls 1 and 2 forming a coin chamber 3, and sheet-metal means 4 for closing the upper open side of the coin chamber 3 and controlling the insertion of a coin. The cover means 4 comprises an inner coin-supporting member 5, which is provided with a coin-discharge opening 6 and a hinged door 7 therefor; an intermediate coin-actuating member 8, which is mounted on the member 5 and provided with a coin-receiving opening 9; and an outer top-cover member 11 having a coin-receiving opening

Referring to the coin-supporting member 5, this member is formed of sheet-metal, and it comprises a flat portion 13, which extends across the top of the coin chamber 3, and an upright peripheral flange portion 14 which seats against an upper inner side portion 15 of the side wall 1. An upper portion 16 of the flange 14 is folded around the adjacent edge of the side wall 1, so that the member 5 may be supported in position. The coin-discharging opening 6 may be formed by pressing or stamping out a portion of the member 5. If desired, a depending flange 17 may be formed around the periphery of the coin opening 6 during the pressing operation.

Reverse movement of a coin from the chamber 3 through the opening 6 is prevented by means of the door 7, which comprises a circular sheet-metal plate 18 that is adapted to fit within the coin opening 6 so as to effectively close the same. The door 7 is further provided with a tongue 19, which extends through parallel openings 21 and 22 (Fig. 5) formed in the opposite side walls of a depressed portion 23 of the inner member 5. An end portion 24 of the tongue 19 may be folded backwardly around the under side of the portion 23. Such construction affords the door 7 a limited hinge movement, one extreme position of which is shown in Fig. 5, wherein a coin, which has dropped onto the door 7 through the coin opening 6, is in the act of passing from the door 7 into the chamber 3.

In accordance with my invention, the coin-actuating member 8 is formed of a sheet-metal stamping having a substantially flat portion 26 and a depending circular, peripheral flange portion 27. The flange portion 27 is directly mounted on the upper side of the inner cover member 5, and it is rotatably centered by means of a plurality of struck-up shoulders 28 which slidably engage an outer side 29 thereof, as shown in Figs. 2 and 3.

The coin-actuating member 8 is also provided with the coin-receiving opening 9, which is movable into registry with the coin-discharge opening 6 in the coin-sup-

in the axis of said rotatable member and the other of said members having a portion extending into said recess, whereby said members may be centered.

5 7. A toy bank comprising a top consisting of two metal plates permanently secured in an open end of the container of said bank in spaced relation to each other, the outer of said plates having an opening through
10 which a coin may be inserted and the inner plate having an opening through which a coin so inserted may be discharged into the container, said outer plate having a centrally located inwardly extending projec-
15 tion, and the said inner plate having spaced projections which extend outwardly toward the outer plate and which are located in a circle concentric with the center of said inner plate, and a plate located intermediate
20 the said inner and outer plates, the said intermediate plate having an inwardly extending depression at its center which receives the inwardly extending projection upon the said outer plate, and the periphery
25 of said intermediate plate being in contact with and guided by the outwardly extending projections upon said inner plate.

In testimony that I claim the foregoing as my invention I have hereunto signed my
30 name this 5th day of March, A. D. 1929.

ADRIAN C. BALSON.

35

40

45

50

55

60

65