

June 19, 1928.

1,674,428

R. A. FRISBIE

PAY TELEPHONE STATION BANK

Filed April 14, 1926

Fig. 1

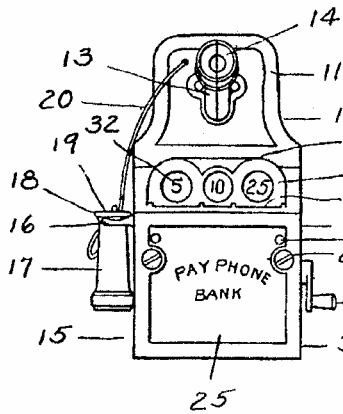


Fig. 2

Fig. 3

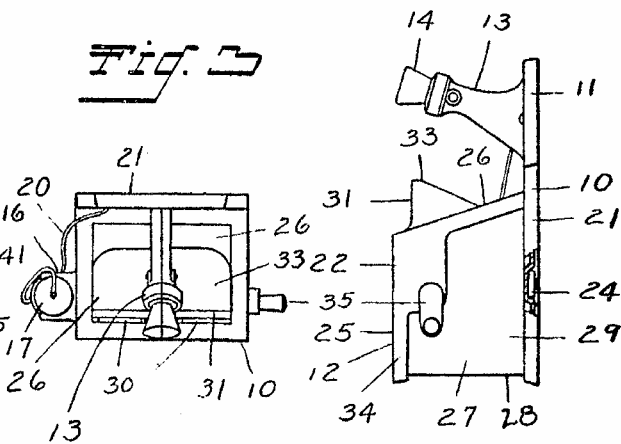


Fig. 4

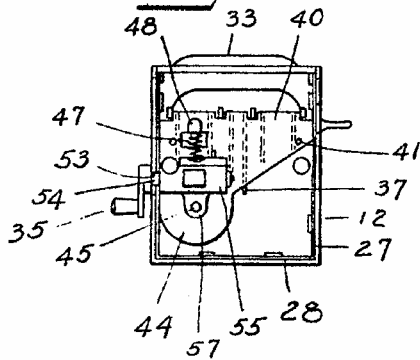


Fig. 5

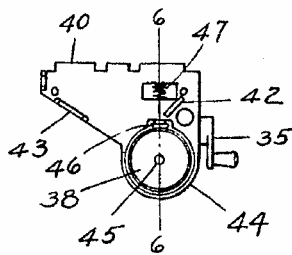


Fig. 6

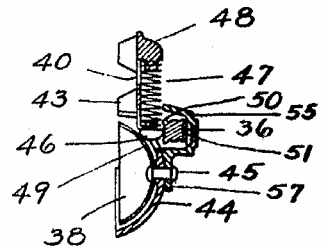


Fig. 6

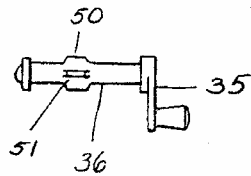
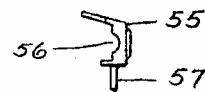


Fig. 7



Inventor:
Russell A. Frisbie
Louis M. Schmidt
Atty.

Thus at the rear, opposed to the ribs 37, and in spaced relation thereto the closure is in the form of a removable plate 40 that is held in place by means of a pair of rivets 6 41. Bottom inclined directing guides for the coins are provided by means of suitable flanges comprising the flange 42 under the 5 marking and the flange 43 under the 25 marking.

10 The coin chute plate 40 carries a shell-like and approximately semi-spherical integral housing 44 that is adapted to receive and support by means of a central rivet 45 the bell 38, the latter being in the path of coins 15 that may be dropped into any of the coin slots.

Means are provided for striking the bell 38 a hammer blow in the form of the hammer 46 that is hung by means of the spring 47 20 from the lug 48 from the coin chute plate 40.

The hammer 46 has a rounded bottom end face; is normally separated by a small space from the rim 49 of the bell 38, being at the rear of said rim 49; is located in the path 25 of the wings 50 of a star member 51 on the rotatively mounted member 36, and; is thrown upwardly away from the bell 38 responsive to rotation of said wings 50. As the wings 50 slide off from the head of the 30 hammer 46 the spring thrusts the hammer into momentary contact with the bell 38.

As mentioned and as shown particularly in Fig. 6 the bell spring 47 is hung from the lug 48 on the coin chute plate 40. Said 35 spring 47 intermediate said lug 48 and the hammer 46 is closely adjacent said plate 40 and the star member 51 is on the opposite side of the said spring 47 and the hammer that is supported thereby. Thus as the 40 wings 50 strike the hammer 46 the material of said plate 40 serves as sustaining means in backing the spring 47 responsive to rotation of said wings 50.

The supporting means for the bell hammer 45 mechanism comprises a pair of laterally spaced half bearings 53 integral with the coin chute plate 40 for cooperating with the shaft portion 54 of the rotatively mounted member 36 and a cap structure 55 that has 50 the mating half bearings 56. The cap structure 55 is held in place by means of the same rivet 45 that holds the bell 38 through the medium of an integral apron or lug 57.

As described, the same bell 38 is sounded 55 by the different coins that are dropped in any of the plurality of coin slots and is also positively sounded by means of hammer blow responsive to the rotation of the crank.

The inclined guide flanges 42 and 43 are 60 deeper than the guide ribs or ridges 37 and serve to space the body of the plate 40 from the front wall 25 proper and from the said ridges 37 so that there is sufficient free space between said ridges 37 and said body of the 65 plate 40 for the passage of the coins.

I claim as my invention:—

1. In a pay telephone station toy bank, a casing having a box-like portion that is provided with a plurality of coin slots and a common interior open space for receiving 70 coins admitted to each or all of said slots, guide means for such coins comprising front and back plate-like structures that are spaced for the coins and guide lugs at the sides, said lugs being spread apart laterally at the 75 upper ends so as to comprise the entire lateral range or spread of said slots and being inclined convergently downwardly so as to provide a relatively narrower outlet at the lower end, and said casing having a receiving 80 chamber for coins below the said outlet.

2. In a pay telephone station toy bank, a plate-like back having an upper portion that supports a semblance of a telephone device and a lower portion that serves as the rear 85 wall of a box-like structure, a part secured to said back and comprising the front wall and the top of said structure, and a sheet metal piece serving as a closure for the sides and the bottom of said structure, and said 90 top being provided with a plurality of slots for coins.

3. In a pay telephone station toy bank as described in claim 2, a portion of said top being in the form of a shell-like protuberance 95 that projects upwardly relatively to the adjacent top structure and is integral therewith, that is laterally elongated, that has a flat face, and said flat face having coin denomination markings adjacent the respective 100 coin slots.

4. In a pay telephone station toy bank as described in claim 2, said top having a flat face portion that extends along the rear of 105 said slots, and a set of integral coin markings being supported by said flat face portion.

5. In a pay telephone station toy bank as described in claim 2, an inner plate secured to the inner face of said front wall, and a bell and ringing means therefor supported by said inner plate.

6. In a pay telephone station toy bank, a box-like structure having coin slots, an interior plate secured to the inside face of one 115 of the walls of said structure, and a bell and ringing means therefor supported by said plate and said ringing means comprising a bell and means cooperating therewith in the form of a crank-operated rotating member. 120

7. In a pay telephone station toy bank, a coin receiving box portion having a front wall, an interior plate secured to said wall, a bell supported by said plate, a hammer structure comprising a spring supported by 125 one end from said plate and a hammer supported by the other end of said spring, and crank-operated ringing means operatively supported for engaging with said hammer. 130

8. In a pay telephone station toy bank as

UNITED STATES PATENT OFFICE.

RUSSELL A. FRISBIE, OF MIDDLETOWN, CONNECTICUT, ASSIGNOR TO THE J. & E. STEVENS COMPANY, OF CROMWELL, CONNECTICUT, A CORPORATION.

PAY-TELEPHONE-STATION BANK.

Application filed April 14, 1926. Serial No. 102,095.

My invention relates to improvements in pay telephone station banks in the form of a toy bank that is made up so as to be suggestive in appearance and also in the results attained by the mechanism provided of a commercial pay telephone station, said results comprising the ringing of a bell responsive to the insertion of a coin and also by the turning of a crank, and the object of my improvement is to produce a pay telephone station toy bank that will be of relatively simple form and economical to manufacture, and will be convenient, efficient, and attractive.

In the accompanying drawing:—

Figure 1 is a front elevation of my improved pay telephone station bank.

Figure 2 is a side elevation of the same.

Figure 3 is a plan view of the same.

Figure 4 is a rear elevation of the front casing member and the bell support mounted thereon.

Figure 5 is a front elevation of the bell support.

Figure 6 is a sectional view on an enlarged scale on the line 6—6 of Fig. 5, through the bell holding rivet and the bell hammer.

Figure 7 is an edge view of the cap member of the crank-shaft housing.

Figure 8 is an end elevation of the crank-shaft and the crank.

My improved pay telephone station bank comprises a casing 10 that has a plate-like upper portion 11 and a lower portion 12 that is in the form of a box-like structure. The upper portion 11 supports a forwardly projecting horn-like member 13 that is made up in the semblance of a telephone transmitter of the particular form that is used in telephone pay stations. The front end portion 14 of the member 13 is in the form of a cup-shaped mouth-piece.

At the side of the box-like body structure 12, shown at the left side 15 in Fig. 1, is a pair of laterally directed spaced horns or hooks 16 on which is removably hung a shaped tubular structure 17 that is made up in semblance of the receiver of a telephone such as is in general use and which is adapted to be supported by means of an outwardly flaring rib 18 at the small end 19. A cord 20 connects the receiver member 17 with the plate-like upper casing portion 11.

The upper casing portion 11 is part of a plate-like back 21 that extends along the

back of the lower box-like portion 12 and that is adapted to be placed against the side wall of a room so as to serve as the main support.

A removable piece 22 is held to the back 21 by means of a pair of elongated bolts 23, having nuts 24, and has parts that close the front and the top of the box structure 12 comprising the front wall 25 and the top wall 26, and a piece 27 of sheet metal, suitably bent, serves as the closure for the bottom 28 and the sides 29.

The top wall 26 for the major part is flat and inclined from the front rearwardly. There is, however, a departure from the relatively plain and flat structure adjacent the front and immediately at the rear of a set of coin receiving slots 30 where there is an upwardly directed flat face 31 that is marked in figures to denote coin denominations. As shown, there are three coin slots 30 and the markings in back of these in order from left to right are respectively "5", "10", and "25". The markings 32 mentioned are cast integral with the flat face 31 and the latter is part of a shell-like protuberance 33 in the top wall 26 that is suggestive of a dormer window construction in a house.

Projecting laterally from the right side 34 of the box structure 12 is the crank 35 that is part of a rotatively mounted moving member 36.

At the rear face of the front wall 25 and at the upper part thereof is a set of laterally spaced vertically directed ribs 37 the free edges of which serve as travel faces or guides for the coins in their travels from the slots 30 to the bell 38 and to the general interior space. The ribs 37 serve to provide the proper spacing from the front wall 25 for the coins and constitute virtually a skeleton front wall of the space that serves as the coin chute down which the coins drop and which coin chute is open to and is common to all, each of and all of the three coin receiving slots 30. Thus any and all coins dropped in either of the coin slots 30, whether corresponding to the markings as given above or not, will be received into this single and only coin chute or coin receiving space.

Means for operatively closing said coin chute or coin receiving space at the rear and at the sides are provided.

described in claim 7, said spring being of coil form and located closely adjacent said plate, and said ringing means being generally on the opposite side of said spring relatively to said plate, whereby under ringing conditions a portion of said plate will serve to sustain the spring.

9. In a pay telephone station toy bank, a coin receiving box-like portion, an interior

plate supported from one of the walls of said portion, a bell and ringing means therefor having a shaft, a half-bearing part for said shaft integral with said plate, a mating half-bearing part for said shaft, and a single rivet serving to secure said mating half-bearing part and said bell to said plate.

RUSSELL A. FRISBIE.