

May 8, 1923.

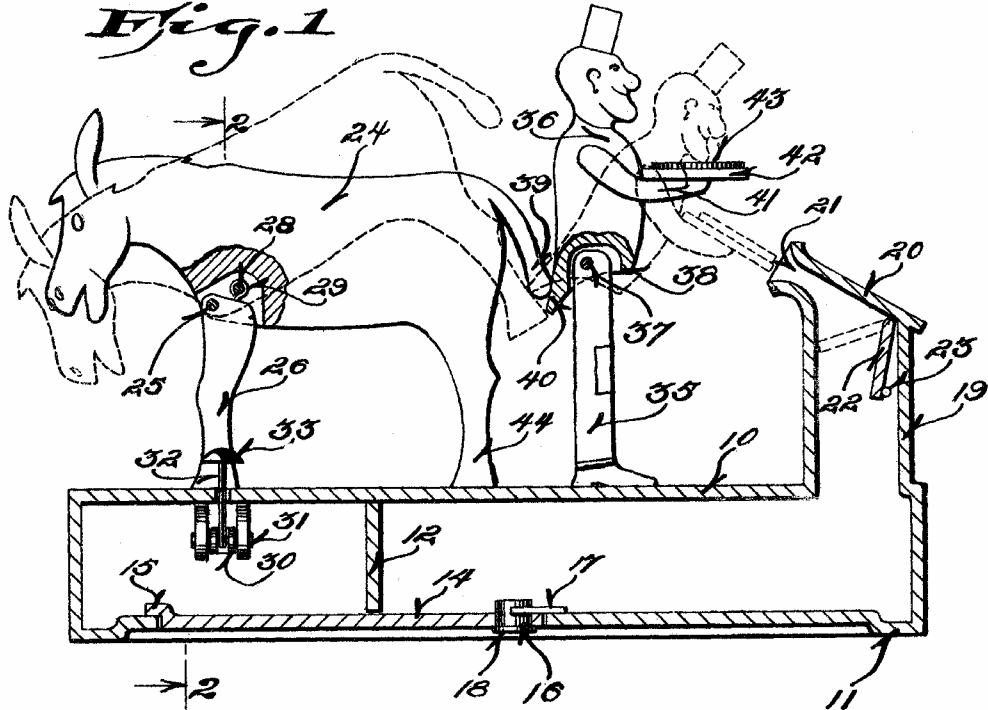
1,454,539

N. S. EBERHARDT ET AL

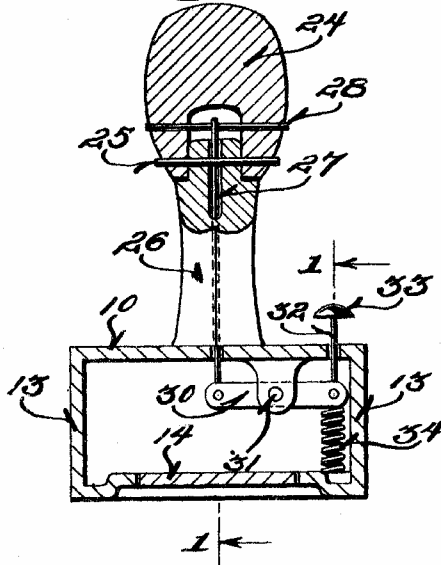
MULE BANK

Filed May 2, 1922

*Fig. 1*



*Fig. 2*



*Witness!*  
Erwin S. Living

*Inventors!*  
Nicholas S. Eberhardt  
Arthur E. Hackett

*By*   
Attorneys!

## UNITED STATES PATENT OFFICE.

NICHOLAS S. EBERHARDT AND ARTHUR E. HACKETT, OF MILWAUKEE, WISCONSIN.

MULE BANK.

Application filed May 2, 1922. Serial No. 557,895.

*To all whom it may concern:*

Be it known that we, NICHOLAS S. EBERHARDT and ARTHUR E. HACKETT, both citizens of the United States, and residents of Milwaukee, in the county of Milwaukee and State of Wisconsin, have invented certain new and useful Improvements in Mule Banks; and we do hereby declare that the following is a full, clear, and exact description thereof.

The invention relates to a toy bank. It comprises the figures of a donkey and a man and a digitally operable mechanism for causing the donkey to kick upsetting the man, who carries a tray, and deposits a coin therefrom into a receptacle having the appearance of a shed, or something of the kind. The receptacle communicates internally with the base of the device and a removable door is provided in the bottom.

A primary object of the invention is the provision of a toy bank which is entertaining to children. By a convenient movement of parts by the finger, a series of amusing movements are initiated, terminating with the dropping of a coin into the slot. Before the movement of parts the manner of deposition of the coin into the slot is not apparent and the operation is such as to encourage an individual to deposit a coin on the tray for the purpose of having it carried into the container. In this way an incentive is offered to placing a coin in the bank.

An additional object of the invention is the provision of a door in the bottom of the base adapted to cooperate with a partition for making a compartment for receiving the coins and, also, adapted to cooperate with the partition to be retained securely in position.

With the above and other objects in view, which will appear as the description proceeds, our invention resides in the novel construction, combination and arrangement of parts, substantially as hereinafter described and more particularly defined by the appended claim, it being understood that such changes in the precise embodiment of this herein disclosed invention may be made as come within the scope of the claim.

In the accompanying drawing, we have illustrated one complete example of the physical embodiment of the present invention constructed according to the best mode we have so far devised for the practical ap-

2

1,454,539

10, and the body 36 is cut away to receive the top of the legs which are connected to the body by pivot 37.

The normal position of the man is as shown in full lines and the lowermost position of the body is as shown in dotted lines. Shoulder 38, adjacent the opening in the body contacts with the legs to limit the forward movement of the body. The center of gravity of the man is disposed forwardly of pivot 37. The man is normally retained erect by the action of the tail 39 of the donkey pressing against the coat-tail 40 of the man. The arms 41 and tray 42, adapted to carry a coin 43, are rigid with body 36.

When the coin is placed in the tray, button 33 is depressed, moving downwardly against the action of spring 34 and lifting rod 27 upwardly. This throws the mule upwardly to a position shown in dotted lines in Figure 1, lifting tail 39 out of contact with coat-tail 40 and permitting the man to fall forwardly. This brings the coin close to the slot 21 and it is dropped therein, falling into the compartment. On the release of pressure, the weight of the donkey and the tension of spring 34 tend to restore the donkey to the position shown in full lines, the tail 39 being brought into contact with coat-tail 40 and restoring the man to initial position. In the upward movement of the donkey, the man falls forwardly, as described, and the rear legs 44 contact with coat-

tail 40, which serves to limit the lifting movement of the donkey.

The fact that the mechanism for initiating the movements is concealed and the relationship between the coin on the tray and the container 19 is not immediately apparent, results in a pleasing effect on the operation of the device and the deposition of the coin in the container.

We claim:—

The combination of a base, a container carried thereby having a slot therein, a pair of legs secured to said base, a body member pivoted to said legs, said body member being cut away to receive said legs and provided with a shoulder to limit the forward movement of said body member with respect to said legs, means rigid with said body member for carrying a coin, a second pair of legs a donkey body pivoted thereto, the tail of said donkey being adapted to contact normally with a portion of said first mentioned body for maintaining said body in erect position, and means for altering the position of said donkey and permitting the forward movement of said first mentioned body and the deposition of a coin in said slot.

In testimony that we claim the foregoing we have hereunto set our hands at Milwaukee, in the county of Milwaukee and State of Wisconsin.

NICHOLAS S. EBERHARDT.  
ARTHUR E. HACKETT.