

R. E. AND N. STARKIE.
COMBINED TOY AND SAVINGS BANK.
APPLICATION FILED MAY 12, 1919.

1,338,879.

Patented May 4, 1920.

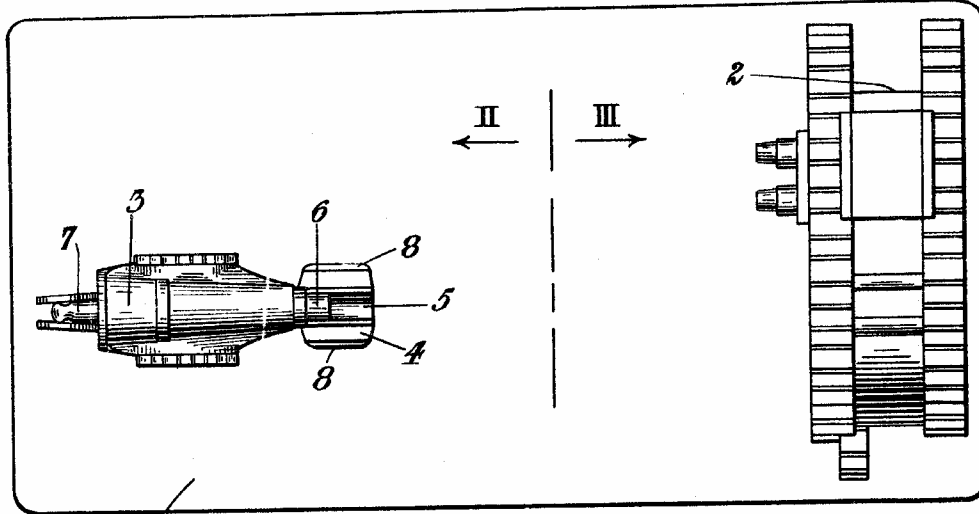


Fig. 1.

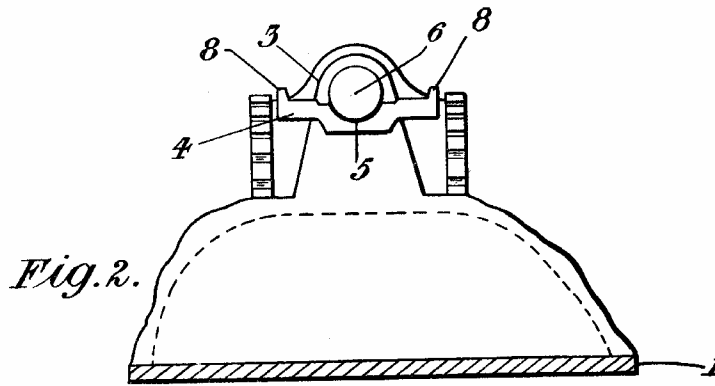


Fig. 2.

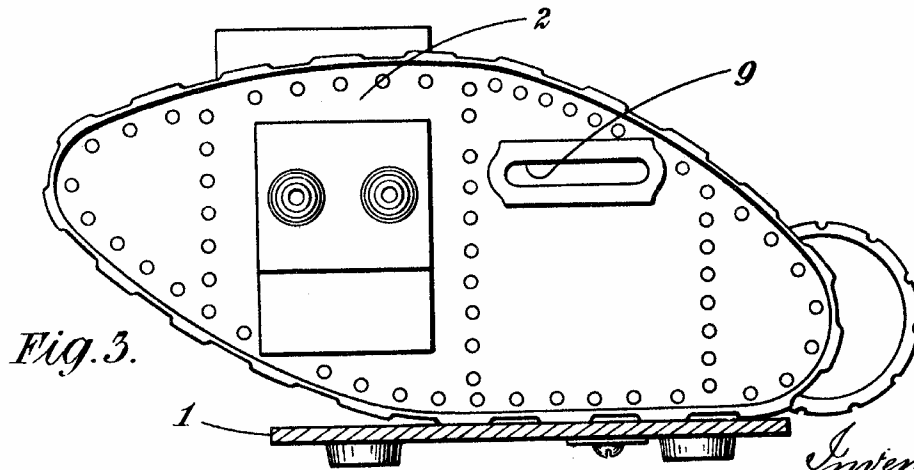


Fig. 3.

Inventors:
Robert E. Starkie, and
Nellie Starkie
by Herbert W. Jenner.
Attorneys.

UNITED STATES PATENT OFFICE.

ROBERT EASTWOOD STARKIE AND NELLIE STARKIE, OF BURNLEY, ENGLAND.

COMBINED TOY AND SAVINGS-BANK.

1,338,879.

Specification of Letters Patent.

Patented May 4, 1920.

Application filed May 12, 1919. Serial No. 296,608.

To all whom it may concern:

Be it known that we, ROBERT EASTWOOD STARKIE and NELLIE STARKIE, subjects of the King of Great Britain, residing at
5 Burnley, in the county of Lancaster, England, have invented certain new and useful Improvements in Combined Toys and Savings-Banks, of which the following is a specification.

10 The subject of this invention is a toy representing an armored military automobile vehicle with endless traction bands known as a tank, having a slot for the reception of
15 coins, which can be stored within the vehicle until the same is unlocked or unscrewed, a door or hinged side being provided at the back of the tank, or a foot plate under the tank adapted to be screwed off to give access. Combined with this preferably on the same
20 stand or pedestal we mount a toy cannon or other gun having its muzzle directed at the slot in the tank, this gun comprising a ram or plunger which may be normally held within the gun, a confined spring on
25 the movement of a trigger being liberated so as to cause the ram to protrude suddenly. The surface of the pedestal may be made to imitate rough ground, rising into a hill between the gun and the tank, the said hill
30 having a flat top over which the ram wipes when the trigger is pulled. A penny or other coin being placed on this flat top, can then be propelled or shot into the slot in the tank. Instead of this arrangement a recep-
35 tacle for a coin may be provided at the muzzle of the gun. According to adjustment the coins may either be sent into the tank with practical certainty at every attempt, or if desired to increase the amount
40 of amusement derived from the device, the banking of the coin may be arranged to require a small degree of skill in correctly balancing the coin or aiming the gun.

The accompanying drawings illustrate an
45 example of a device according to this invention although it will be understood that the details may be varied.

Figure 1 is a plan of the device.

50 Fig. 2 is a sectional elevation on a larger scale taken in the direction of the arrow II in Fig. 1.

Fig. 3 is a similar sectional elevation taken in the direction of the arrow III in Fig. 1.

55 The reference numeral 1 indicates the

stand or base, which may be painted green or other color and roughened to imitate rough ground; 2 is the tank, and 3 the gun, at the front of which is a small platform or table 4 having a central groove 5 in which
60 works a plunger 6 normally protruding from the mouth of the gun. To this plunger 6 is connected a handle or trigger 7, and between the rear of the plunger and the interior of the breech of the gun is con-
65 fined a spiral spring (not shown). At each side of the table 4 is a raised flange 8. The trigger 7 being drawn back so that the plunger is withdrawn into the bore of the gun, a coin is placed on the table 4; the release
70 of the trigger then permits the spring to expand and the plunger to strike and propel the coin toward the slot 9 (Fig. 3) in the side of the tank. If correctly placed, the coin should enter said slot and fall inside
75 the tank.

The gun may be connected to castings or the like representing the wheels of the gun in such manner that it can be swiveled so
80 as to enable the elevation of the muzzle to be altered, and also to enable the gun to be aimed or traversed in a horizontal plane, in order to increase the opportunity to use skill in aiming at the slot.

The tank may however be made separately
85 from the gun and pedestal, having a sufficient base to stand alone, so that the distance between the gun and tank can be varied.

The tank may be constructed of perfor-
90 rated ironwork so that the coins inside it can be seen.

We claim as our invention:—

A toy, comprising a receptacle for coins provided with an entrance opening, a gun
95 provided with a slidable plunger adapted to propel the coins into the said opening, and a table for supporting the coins in front of the muzzle of the gun, said table having a central groove for the plunger to slide in
100 and having also upwardly projecting side flanges for positioning the coins.

In testimony whereof we affix our signatures in the presence of two witnesses.

ROBERT EASTWOOD STARKIE.
NELLIE STARKIE.

Witnesses:

ERNEST PRIESTLEY NEWTON,
EVA HARTLEY.