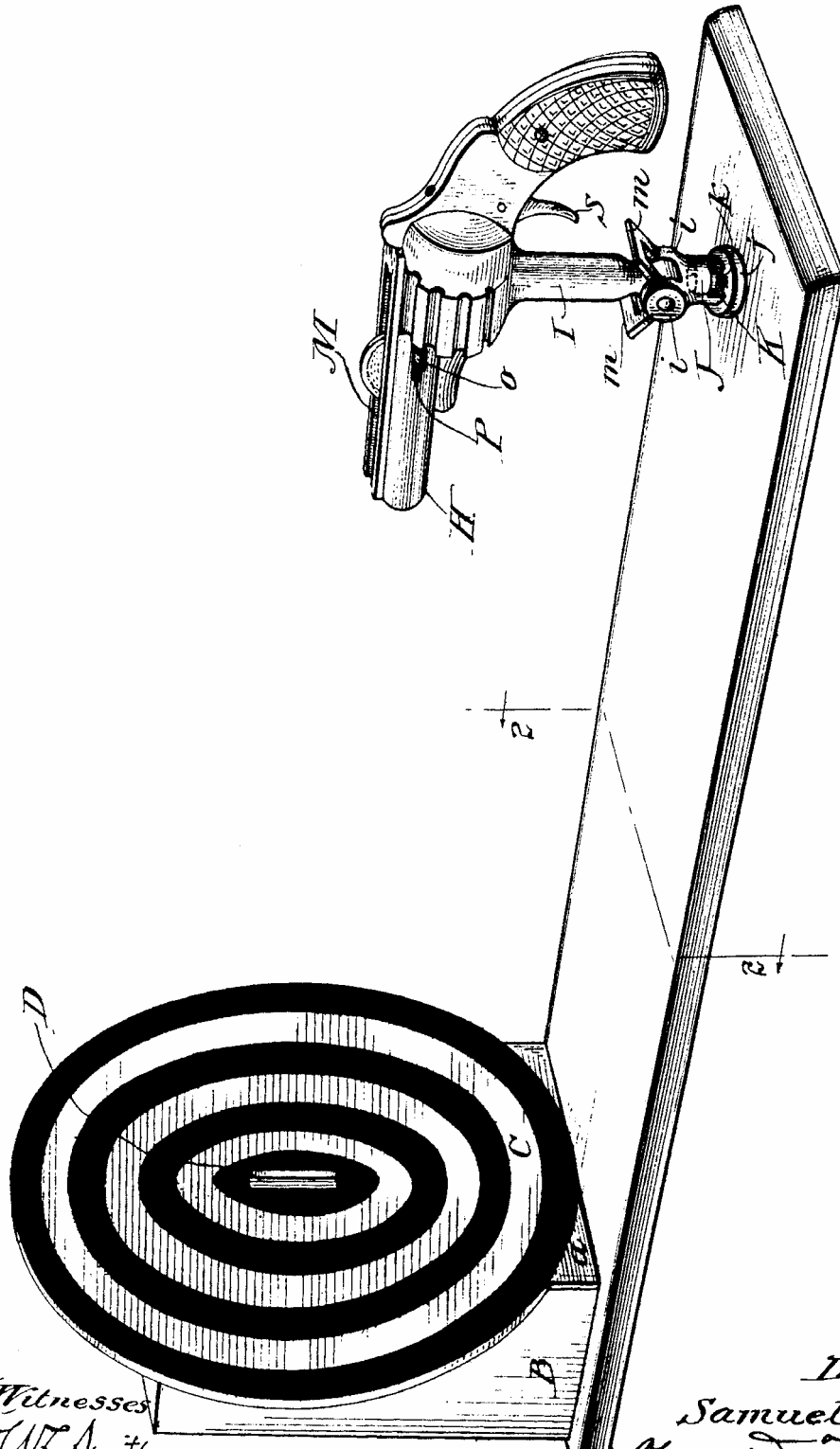


S. SIEGEL.  
TOY BANK.  
APPLICATION FILED SEPT. 7, 1916.

1,265,125.

Patented May 7, 1918.  
2 SHEETS—SHEET 1.



Witnesses  
W. B. Smith  
Florence Mitchell

By

Inventor:  
Samuel Siegel  
Frank Thomason  
Att'y.

S. SIEGEL.

TOY BANK.

APPLICATION FILED SEPT. 7, 1916.

1,265,125.

Patented May 7, 1918.

2 SHEETS—SHEET 2.

Fig. 2.

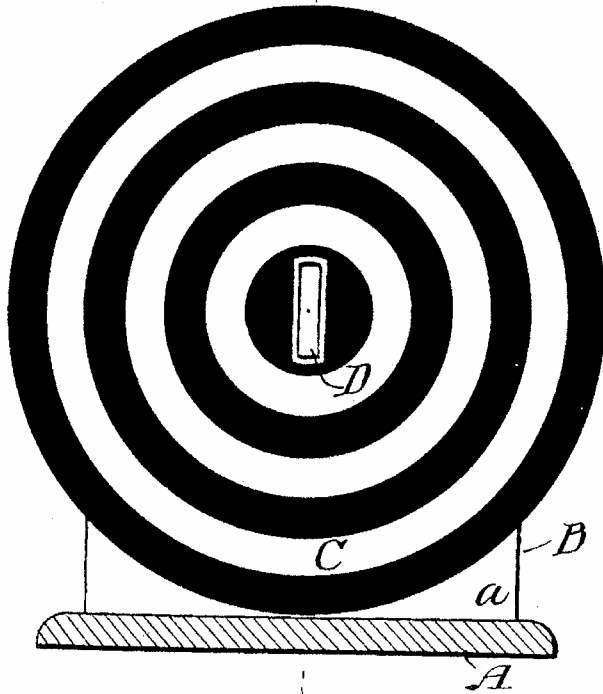


Fig. 3.

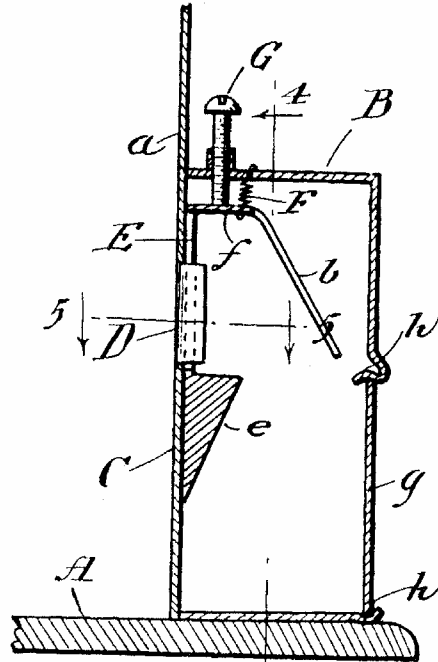


Fig. 4.

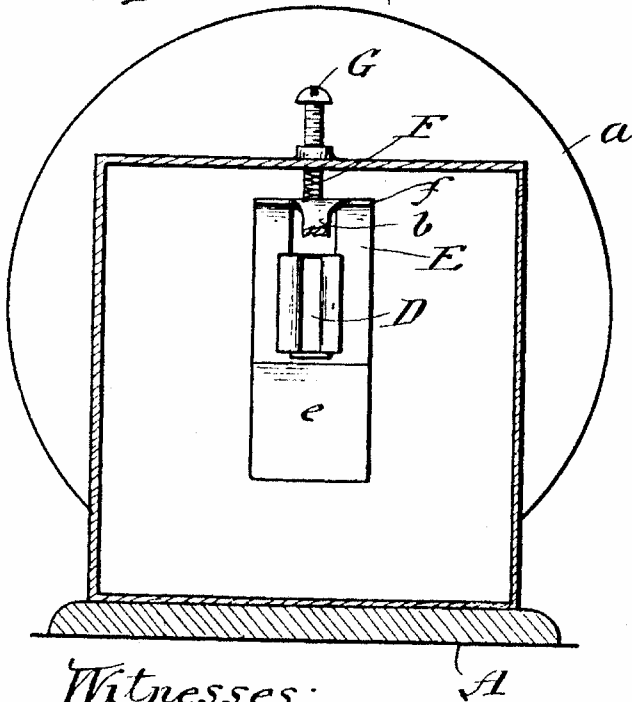


Fig. 5.

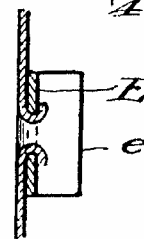


Fig. 6.

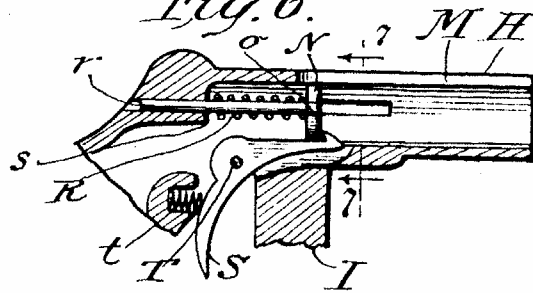
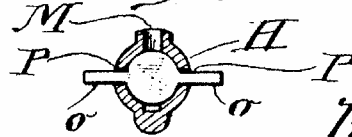


Fig. 7.



Witnesses:  
*W. F. Smith*  
*Florence Mitchell*

Inventor:  
*Samuel Siegel*  
 By *Frank J. Hausman*  
*Atty.*

# UNITED STATES PATENT OFFICE.

SAMUEL SIEGEL, OF NEW YORK, N. Y., ASSIGNOR TO ANNA SIEGEL, OF NEW YORK, N. Y.

## TOY BANK.

1,265,125.

Specification of Letters Patent.

Patented May 7, 1918.

Application filed September 7, 1916. Serial No. 118,810.

*To all whom it may concern:*

Be it known that I, SAMUEL SIEGEL, a citizen of the United States, residing at New York city, in the county and State of New York, have invented new and useful improvements in Toy Banks, of which the following is a full, clear, and exact description.

My invention relates to toy banks, and its object is to furnish wholesome amusement and promote thrifty habits by providing means that require a certain amount of expertness to successfully manipulate it in order to get the coin into the bank. This I accomplish by the means hereinafter fully described, and as particularly pointed out in the claims.

In the drawings:

Figure 1 is a perspective view of my invention.

Fig. 2 is a transverse section thereof taken at a point between the revolver and the bank, looking toward the rear.

Fig. 3 is a longitudinal section of the bank taken on dotted line 3—3, Fig. 2.

Fig. 4 is a transverse section taken on dotted line 4—4, Fig. 3.

Fig. 5 is a transverse horizontal section through the front wall of the coin receptacle taken on dotted line 5—5, Fig. 3.

Fig. 6 is a longitudinal section of the revolver broken away from its support.

Fig. 7 is a transverse section of the revolver taken on dotted line 7—7, Fig. 6.

Referring to the drawings, A represents an elongated base-plate of suitable material, which has a bank securely mounted upon its rear end, and a gun or revolver mounted upon a swiveled support at its forward end.

The bank, preferably, consists of a rectangular sheet metal housing B the front side of which is designed not only to provide a front wall *a*, but also a circular target C having a suitable number of circles concentrically arranged around a central bull's-eye. This bull's-eye is provided with a centrally disposed vertical slot D through which a coin can be thrust into the bank. The coins so thrust into the bank are deflected downward by a suitable tongue *b* consisting of a flat metal strip, the upper end of which is secured in any suitable man-

ner to the inner surface of the front wall above said slot and the lower portion of which is bent rearwardly and downwardly so that the coin will impinge against the same as it is inserted through slot D and be deflected downward thereby. If desired, however, this tongue *b*, which it is understood will be made of very thin material, may be dispensed with.

The vertical edges of slot D are flanged inward and then parallel to the front wall of the bank, and these flanged edges are designed to constitute guides for the vertical members of a U-shaped frame E, which latter, below said slot, is provided with a wedge *e* having an undercut bevel, substantially as shown in the drawings. The upper ends of the vertical members of this U-shaped frame are connected by a rearward projecting flange *f*, and said frame is kept at the limit of its vertical movement by suitable coil-springs F, the lower ends of which are attached to said flange and the upper ends to the top of the bank. This frame can be moved downward by means of a screw G, whenever desired.

The lower portion of the rear wall of the bank is removed, and the opening left thereby is closed by a suitable door *g* the dimensions of which slightly exceed the dimensions of said opening, and in order to close this opening the edges of the door are sprung into grooved seats *h* made by providing the inner surfaces of the side-walls of the bank conterminous with the height of said opening and the floor of the bank with grooves, and by flanging the lower edge of the closed upper portion of the rear wall of the bank inward and grooving the underside of this flange. When the bank is filled with coins up to the plane of the lower end of slot D, screw G is manipulated so as to move frame E downward so that wedge *e* thereof will force the coins downwardly and rearwardly and force door *g* out of its seat to permit the removal of the coins therein.

Revolver H is designed to resemble the common revolver now in extensive use, and it is supported by means of a suitable arm I depending down from the cylinder part of the same and pivoted at its lower end between the pivotal lugs *i* of a standard J.

This standard J has a pivotal pin (not shown) projecting down into the base-plate A, or a boss *j* arising therefrom, and it has a limited rotative movement which is confined to the limits of its lower end, by means of a pin or protuberance K projecting up from said base into the same. This construction permits the revolver to be turned 10 on both a vertical axis and a horizontal axis, although I prefer to limit its movement on a horizontal axis by means of the wings *m, m*, projecting forwardly and rearwardly from the pivotal lugs *z* of the standard. I desire to be considered as contemplating any other kind of a support for the revolver that will permit it to have a swiveled movement as coming within the scope of my invention.

20 This revolver is made tubular, and its barrel is provided in its top with a longitudinal slot M, and if desired the lower segment of the bore of the barrel opposite slot M may be provided with a groove so that a coin deposited in the said slot and groove will be retained in a vertical position so that when expelled it will remain in a vertical edge-wise position. The coin inserted in the barrel of the revolver in the manner just stated is adapted to be expelled therefrom by means of a suitable head N that has laterally projecting lugs *o, o*, extending therefrom out through longitudinally elongated slots P made in the sides of the barrel of the revolver adjacent the rear limits of slot M. This head has a rearwardly axially extending spindle *r*, and when said head is moved to the rear limit of its movement, immediately to the rear of the rear end of slot M, it compresses a coil-spring R surrounding said spindle, whose rear end is seated in and bears rearwardly against a seat *s* made in a shoulder located at the commencement of the downwardly curved portion of the bore of the handle of the revolver. Head N is retained at the limit of its rearward movement by the beak at the upper end of the forward branch of a trigger S, which latter is pivoted by means of a suitable pin T in a longitudinal slot made in the lower side of the cylinder portion of the revolver, substantially as shown. The rear branch of this trigger extends rearwardly and downwardly in the usual manner, and said trigger is kept normally in the position shown in the drawings, by a coil-spring *t* interposed between it and the forward curved side of the handle of the revolver.

In operation, lugs *o, o*, of head M are grasped by the fingers of the operator and moved to the limit of its rearward movement, and when in this position the beak of the forward branch of the trigger (which has momentarily been moved downward by the passage of said head and snapped up

again in front of the same to retain the head in its rearward position) is manipulated by the trigger-finger and releases said head, whereupon the latter will, due to the expansion of coil-spring R, move forward very rapidly until the forward end of slot P is reached, and expel the coin with considerable force.

The object of my invention is to shoot a coin into slot D of the bank, before manipulating the revolver in the manner just described, so it is aimed so as to shoot the coin into the slot of the bank. This operation always arouses a great deal of interest and will cause the bank to be visited much oftener, not only by the youthful possessor, but by adults, than would otherwise be the case, and thus encourages thrifty habits.

I do not wish to be confined to the exact construction of the bank, nor of the revolver, as hereinbefore described, as it is obvious that these may be changed without departing from the spirit of my invention.

What I claim as new is:—

1. A toy bank comprising a base-plate, a coin receptacle having a slot in its vertical side and mounted on one end of a platform, and a gun which is adapted to shoot a coin through said slot into said receptacle, and a support for said gun to which the latter is connected by a universal joint on the end of said platform opposite said receptacle.
2. A toy bank comprising a platform, a coin receptacle having a slot in its vertical side and mounted on one end of said platform, a gun which is adapted to shoot a coin through said slot into said receptacle, a support for said gun which is connected by a universal joint to the end of said platform opposite said receptacle, and means for limiting the movement of said gun on the vertical and horizontal axes of said joint.
3. A toy bank comprising a platform, a coin receptacle mounted on one end thereof that has a slot in its vertical side, a door in the opposite side thereof, a gun which is adapted to shoot a coin through said slot into said receptacle, a support therefor which is connected to said platform by a universal joint, and means for causing the coin in said bank to bear against and force said door open.
4. A toy bank comprising a base-plate, a coin receptacle at one end of said base-plate having a slot in its vertical side, a door in one of its vertical sides, means within said receptacle for causing a movement of the coin therein to open said door, a gun which is adapted to shoot a coin through said slot into said receptacle, and a swiveled support at the end of said base-plate opposite said receptacle to which said gun is connected.
5. A toy bank comprising a base-plate, a coin receptacle at one end of said base-plate having a slot in its vertical side, a door in

one of its vertical sides, means within said receptacle for causing a movement of the coin therein to open said door, a deflecting tongue for directing said coin downward which is integral with said means, a gun slot into said receptacle, and a swiveled support at the end of said base-plate opposite

10  
In witness whereof I have hereunto set my hand this 26th day of August, 1916.  
SAMUEL SIEGEL.

Witnesses:  
FLORENCE MITCHELL,  
W. C. SMITH.