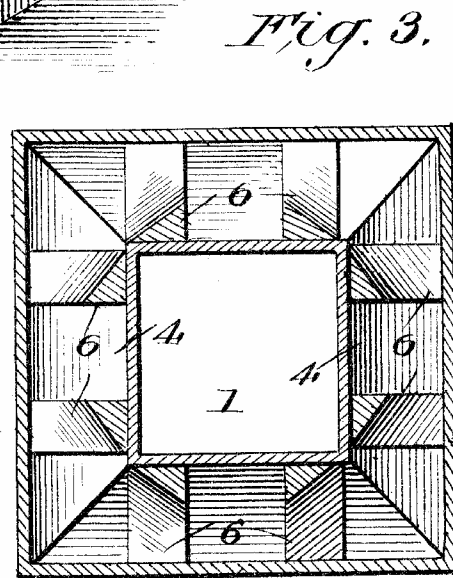
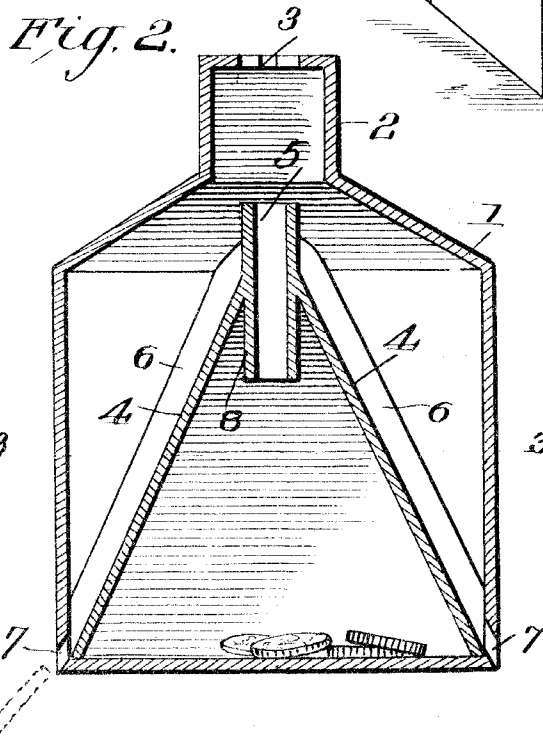
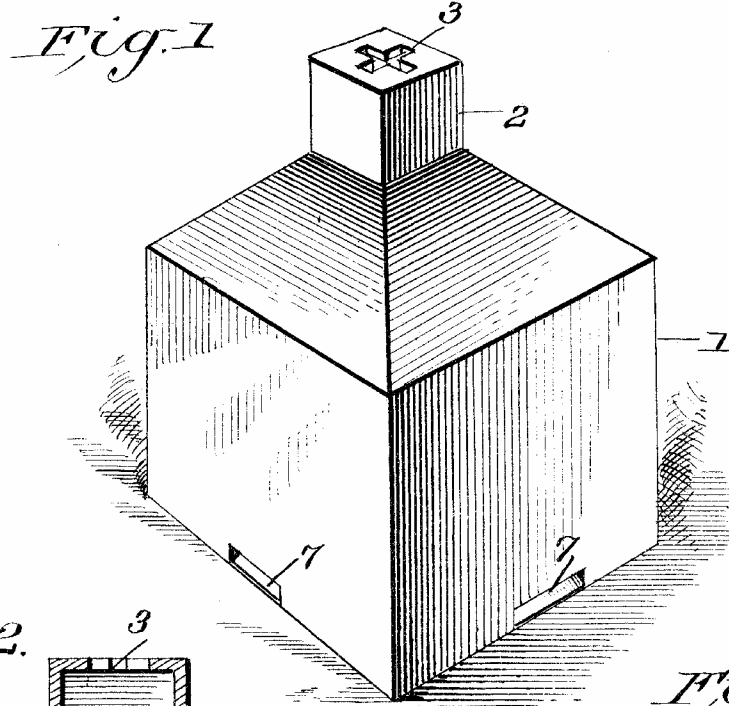


C. F. GATES.
 TOY MONEY BOX.
 APPLICATION FILED JAN. 9, 1911.

993,979.

Patented May 30, 1911.



Witnesses
John A. Ryan
Sw. Cook

Inventor
Curtis F. Gates
 By *Wm. O. W. ...*
 Attorney

UNITED STATES PATENT OFFICE.

CURTIS F. GATES, OF NEW LONDON, CONNECTICUT.

TOY MONEY-BOX.

993,979.

Specification of Letters Patent.

Patented May 30, 1911.

Application filed January 8, 1911. Serial No. 601,680.

2

993,979

To all whom it may concern:

Be it known that I, CURTIS F. GATES, a citizen of the United States, residing at New London, in the county of New London and State of Connecticut, have invented certain new and useful Improvements in Toy Money-Boxes; and I do hereby declare the following to be a full, clear, and exact description of the invention, such as will enable others skilled in the art to which it appertains to make and use the same.

This invention relates to improvements in game apparatus, and in particular to a toy bank.

The device is so constructed that unless the coin is placed in the receiving slot in a particular manner it will not remain in the bank but will be delivered out through one of the four openings provided at its bottom.

If, however, the coin is dropped into the slot in a certain way it will be retained within the bank and resist all efforts to dislodge it.

With the above and other objects in view, this invention resides in the novel features of construction, formations, combinations and arrangements of parts to be hereinafter more fully described, claimed and illustrated in the accompanying drawing, in which—
Figure 1 is a perspective view of the bank; Fig. 2 is a vertical sectional view through the center of the bank, and Fig. 3 is a horizontal sectional view through the plane 3—3 of Fig. 2.

Referring to the drawing by characters of reference, the numeral 1 represents a square casing, on the upper part of which an extension 2 is formed above the casing 1, with intersecting coin-receiving slots 3 formed in its upper surface. A chamber 4 is placed within the casing 1, its lower edges corresponding to the base of the chamber 1, its sides tapering upward to a coin-receiving slot 5, which is so placed as to be a short distance below and in alignment with one of the coin-receiving slots 3 of the casing. Guides 6 are fastened to the outer tapering edges of the chamber 4 to provide channels in which coins will slide which do not pass through the slot 5, and will be delivered out through the slots 7 cut in the lower edges of the casing. 1. An inward projection 8 is formed at the apex of the chamber 4, to prevent coins from being shaken out of the chamber after being dropped within. From

this it will be seen that when the coin is dropped through one of the slots 3, unless it happens to be in perfect alignment with the slot 5, it will be caused to slide down one of the channels formed by the guides 6 and be delivered out through one of the slots 7. If, however, the coin is dropped in alignment with the slot 5 it will fall within the chamber 4, and thus be securely retained within the bank.

Having thus fully described this invention, what I claim as new and desire to secure by Letters Patent is:

1. A toy bank such as described, consisting of a casing, intersecting coin-receiving slots cut in the top of said casing, a chamber formed within the casing, a slot in the top of said chamber, said slot placed in alignment with one of the intersecting coin-receiving slots in the casing.

2. A toy bank such as described, consisting of a casing, intersecting coin-receiving slots cut in the top of said casing, an upwardly tapering chamber within the casing, a plurality of coin-delivering openings around the bottom of the casing, and a slot formed at the apex of the tapered chamber and in alignment with one of the coin-receiving slots in the casing.

3. A toy bank such as described, consisting of a four-sided casing, an extension on the top of the casing, intersecting coin-receiving slots formed in the top of said extension, a four-sided upwardly tapering chamber within the casing, its base corresponding to the base of said casing, a slot formed in the top of the tapered chamber and in alignment with one of the coin-receiving slots in the casing, coin-delivering slots cut in the lower edge of each face of the casing, and guides on the tapered outer sides of the chamber to provide means to deliver coins not dropped within the slot at the top of the tapered chamber out through the delivery slots cut in the casing.

4. A toy bank such as described, consisting of a four-sided casing, an extension on the top of the casing, intersecting coin-receiving slots in the top of said extension, a four-sided upwardly tapering chamber within the casing, its base corresponding to the base of said casing and attached thereto, a slot formed in the top of the tapered chamber and in alignment with one of the coin-receiving slots in the casing, coin-delivering

slots cut in the lower edge of each face of the casing, guides formed on the tapered outer side of the chamber to provide means to deliver coins not dropped within the slot at the top of the tapered chamber out through the delivery slot in the casing, and an inward projection of the slot formed at the top of the tapered chamber to prevent

coins already within the chamber from being shaken out.
In testimony whereof I affix my signature in presence of two witnesses.

CURTIS F. GATES.

Witnesses:

JOHN H. ROOR,
HOWARD E. BECKWITH.