

A. E. JACOBS.
 TOY CASH REGISTER.
 APPLICATION FILED DEC. 18, 1908.

964,026.

Patented July 12, 1910.

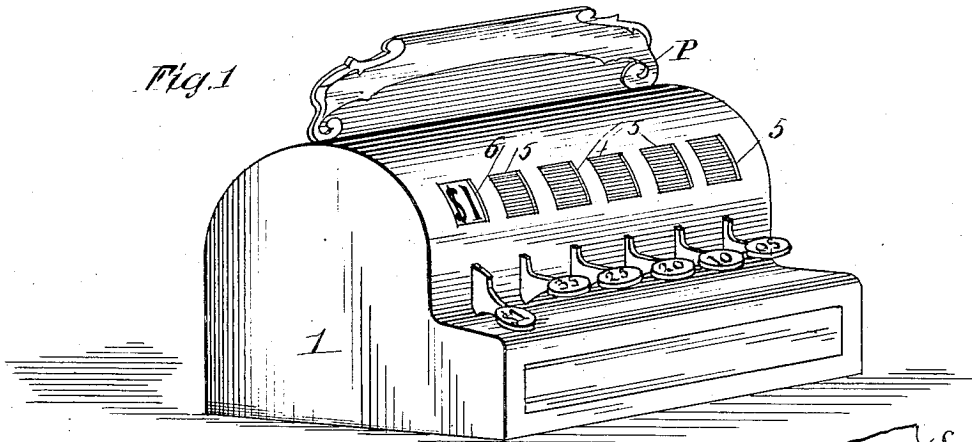


Fig. 4.

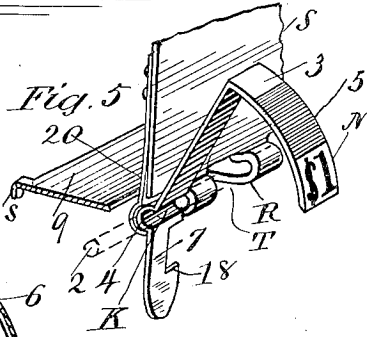
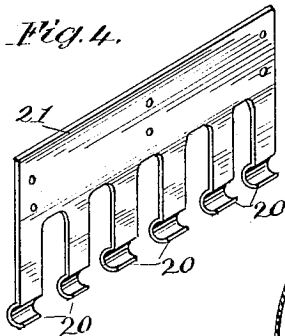


Fig. 2

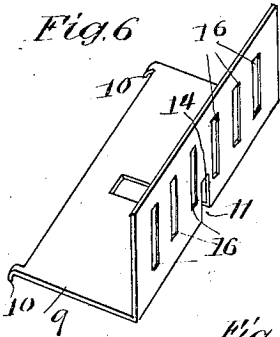
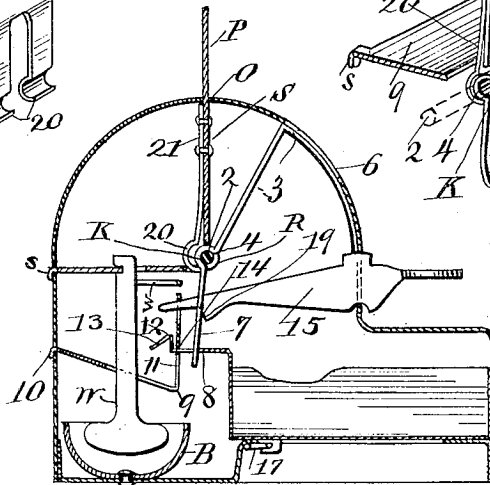


Fig. 7

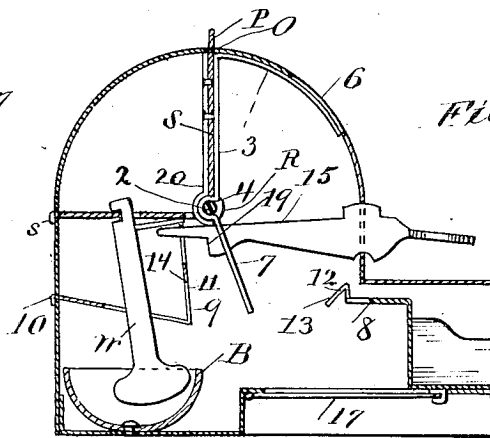
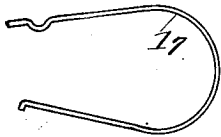


Fig. 3

Witnesses
 Geo. S. Cole
 L. O. O'Neill

Inventor
 Arthur E. Jacobs
 By Wm. M. Warner
 Attorney

UNITED STATES PATENT OFFICE.

ARTHUR E. JACOBS, OF CLEVELAND, OHIO.

TOY CASH-REGISTER.

964,026.

Specification of Letters Patent. Patented July 12, 1910.

Application filed December 18, 1908. Serial No. 468,229.

To all whom it may concern:

Be it known that I, ARTHUR E. JACOBS, a citizen of the United States, and resident of Cleveland, in the county of Cuyahoga and State of Ohio, have invented certain new and useful Improvements in Toy Cash-Registers, of which I hereby declare the following to be a full, clear, and exact description, such as will enable others skilled in the art to which it appertains to make and use the same.

The objects of the invention are to provide a toy cash register having a money drawer and combined numeral and flash plates so arranged as to provide a convenient change making and computation device within the range of sums such as a child would ordinarily spend and hence instruct a child in accurate keeping of accounts and addition of small sums.

The objects further are to provide a device having simple and positive movement and readily operated by a child, and also extremely efficient and practical for the purpose for which it was intended.

The invention comprises the combination and arrangement of parts and construction of details as hereinafter described, exemplified in the accompanying drawings and specifically pointed out in the claims.

In the accompanying drawings Figure 1 is a perspective view of the device, showing it capable of making change to \$1.95 and arranged with six operating keys conveniently marked so that all combinations up to the complete amount can be readily computed; Fig. 2 is a transverse section thereof showing one key and key lever and combined flash and numeral plate and the drawer locking plate engaging the closed drawer; Fig. 3 is a similar transverse section of the device; showing the locking plate for the drawer lifted and the drawer thrown open by means of a spring; Fig. 4 is a perspective view of the spring by means of which the several flash and numeral plates are operated when released by the key levers; Fig. 5 is a perspective view of one of the flash and numeral plates, showing it in its hinged position relative to the inner supporting plate; Fig. 6 is a perspective view of a portion of the drawer locking plate, showing slotted openings through which the key le-

vers pass; Fig. 7 is a view of the actuating spring for the drawer.

In these views 1 is a suitable casing having the ordinary cash register appearance, 2 is a shaft passing therethrough upon which the several combined flash and numeral plates 3 are pivoted at 4. These plates are provided with outer curved surfaces shaped in the arc of a circle upon one portion of which the numerals N are shown, and upon another portion 5 a color such as red, which is adapted to alternately show the openings 6, 6 in the case as the flash and numeral plates are raised and lowered.

Each plate is provided with a downwardly projecting portion 7 adapted to be engaged by a rearward projection of the drawer 8 so as to throw back all the projections 7 on each plate and move down all the flash plates or as many as may be up together when the drawer is closed.

The drawer is locked when closed by means of a locking plate 9 pivoted at 10 in the wall of the case 1. Through an opening 11 in this plate extends the latch 12 upon the drawer. The latch has an inclined inner face 13, so that when the drawer is being closed, the latch will lift up the plate 9 until a shoulder 14 drops behind the latch. The locking plate 9 is raised by each one of the key levers 15 in turn which pass through slots 16 therein so that when any one of the key levers is depressed the drawer is released. As soon as the drawer is released a spring 17 pushes it open and when returned it is again locked until some other lever is depressed. The action of one lever will not affect the other levers since the slots 16 are made long enough to permit one lever to raise the plate without raising the other levers.

The downwardly projecting portions 8 of the combined flash and numeral plates are each provided with a shoulder 18 which is adapted to rest against the shoulder 19 upon the key lever, and will retain each flash and numeral plate in the lowered position until its corresponding key lever is depressed, thus releasing the flash and numeral plate. A spring 20 for each projection 8 throws back the corresponding plate as soon as it is released. As previously stated the action of one key lever is quite independent of the

others. A pendent clapper W having a projection *w* is struck by the upper edge of the drawer locking plate when it is raised to release the drawer and is swung to sound the bell B, so that the bell will ring whenever the drawer is opened. Normally only the red color will show in the openings in the case. When a key is depressed, the corresponding flash and numeral plate is released and flies up so as to disclose the numeral corresponding to that on the key in the opposite opening. The drawer is also released and flies out and the bell rings. When the drawer is pushed in again the combined flash and numeral plate is depressed and the drawer is locked. If all the key levers are released, the return of the drawer returns all the combined flash and numeral plates.

To provide a simple form of construction of this device and to permit of easily assembling the parts without disfiguring in any way the exterior of the case 1, an interior metal support S is preferably made of an angularly bent sheet metal plate adapted to be secured at the side at *s* to the rear wall of the case and projecting upward at P beyond the case to bear any desired ornamentation or advertisement. The angle in the plate S is cut away to provide alternate hinge joints and recesses R and T, and in the recesses T are placed the corresponding hinge joints K formed in the bodies of the combined flash and numeral plates 3. A shaft 2 is passed through these hinge joints to hold the parts together and the assembled parts are inserted into the case. The extension P is passed through an opening O in the case. The spring tongues 20 are preferably integrally formed in a common plate 21, which is secured to the plate S and holds them rigidly in place, and there is only one piece to attach to the supporting plate instead of a number of pieces. The locking plate 9 is also preferably formed in one piece, and the several slots 16, 16 therein serve also as guides for the key levers to give them a perfectly vertical movement.

Having described the invention what I claim as new and desire to secure by Letters Patent is:—

1. In a cash register, in combination, a case having observation openings, a shaft therein, a series of combined flash and numeral plates pivoted on said shaft, and adapted to expose said numerals and flashes alternately before said openings, a main support upon said shaft, a series of return springs for said combined flash and numeral plates mounted on said main support, a series of key levers pivoted in the wall of said case and engaging with said combined flash and numeral plates and adapted to release the same when the said key levers are depressed, a sliding drawer

in said case, a shoulder thereon, adapted to throw said combined flash and numeral plates when said drawer is pushed into place, a pivoted gravity operated locking device for said drawer, each one of said levers adapted to engage and release said locking device when said lever is depressed.

2. In combination in a cash register, a case provided with observation openings, a shaft therein, a series of plates pivoted thereon and provided each with a curved surface having a flash space and a numeral space, a series of key levers pivoted in said case, each lever adapted to engage one of said pivoted plates and retain it with the flash portion registering with one of the observation openings, a return spring for each of said pivoted plates adapted to throw said plate when the key is depressed so as to bring the numeral space thereon to register with one of said observation openings, a sliding drawer in said case, said drawer adapted to engage and throw back said pivoted plates when released, and a locking device for said drawer, said locking device adapted to be engaged by all said key levers, and operatable by each of said key levers independently.

3. In combination, in a cash register, a case provided with observation openings, a shaft therein, a series of combined flash and numeral plates pivoted in said case, a series of key levers pivoted in said case and in locking engagement with said pivoted plates, and releasable therefrom when the said levers are depressed, return springs for said pivoted plates, a sliding drawer provided with a rearward extension adapted to engage with all said pivoted plates and to return them when released to normal position, and a locking device for said drawer, adapted to engage all said key levers, whereby any lever when depressed will release said locking device and a spring adapted to throw out the drawer when released.

4. In a cash register, in combination, a case, having a semi-cylindrical portion provided with observation openings, a central shaft therein, a main support secured to said shaft, a series of key levers pivoted in said frame, provided each with a shoulder and a series of pivoted plates mounted on said shaft, and provided each with a curved portion adapted to pass in the rear of one of said observation openings, a depending portion from each plate provided with a shoulder, adapted to engage the shoulder on one of said key levers, and detachable therefrom when said lever is depressed, a return spring for each pivoted plate, a drawer in the case having a catch, a locking plate for said drawer pivoted in said case and provided with a shoulder adapted to engage said catch, when said drawer is pushed in, said locking plate provided with vertical

slots through which the inner extremities of said key levers pass, each lever being free to move in its slot to lift and release said locking plate independently of the other levers and a return spring for said drawer.

5
10
15
20
5. In a toy cash register, in combination, a case provided with observation openings, an angular supporting plate secured therein, and provided with hinge joints alternated with spaces in its angle, a series of curved combined numeral and flash plates, and depending portions therefor, provided with hinge joints in their body portions, adapted to enter the spaces between the hinge joints of the said supporting plate, the said combined numeral and flash plates being adapted to pass behind the said observation openings, a spring metal plate secured to the rear of said supporting plate and provided with integral spring tongues, each adapted to en-

gage with one of said depending portions of said combined numeral and flash plates.

6. In a toy bank, a case and a removable angular supporting plate therein, said plate provided with alternate hinge joints and recesses in its angular portion, a shaft passing through said hinge joints and combined flash and numeral plates upon said shaft located between said hinge joints on said plate.

7. In a toy register, a case and an angular supporting plate detachably secured therein, the angle in said plate being cut away to form alternate hinge joints and recesses.

In testimony whereof, I hereunto set my hand this 8th day of December 1908.

ARTHUR E. JACOBS.

In presence of—

GEO. S. COLE,
WM. M. MONROE.