

No. 815,935.

PATENTED MAR. 27, 1906.

C. A. BAILEY.
TOY BANK.

APPLICATION FILED APR. 10, 1905.

2 SHEETS—SHEET 1.

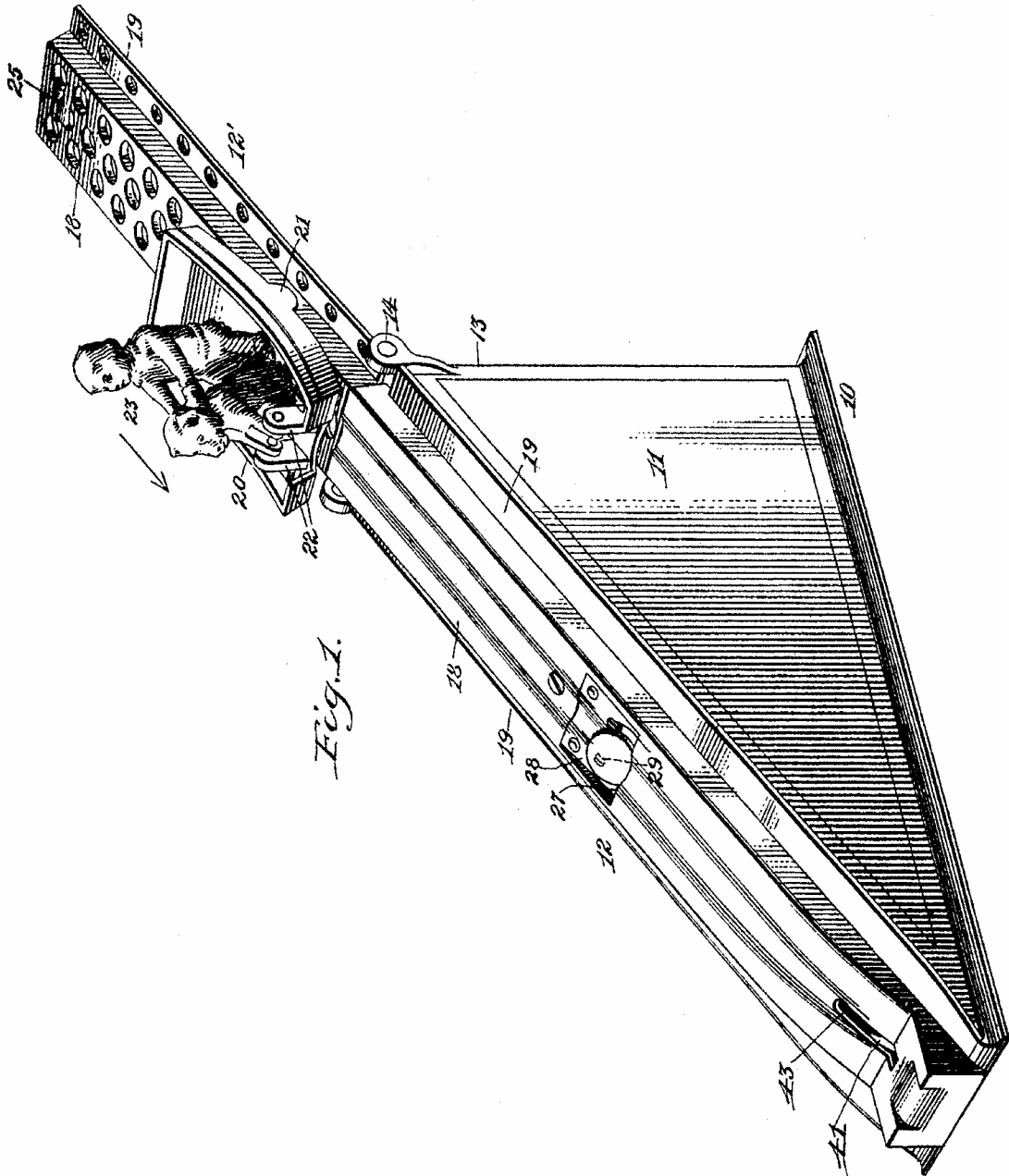


Fig. 1.

Witnesses

W. C. Brundage,
Albert Topham

Inventor

Charles A. Bailey.

By *Sturtevant & Griggs*
Attorneys

C. A. BAILEY.
TOY BANK.

APPLICATION FILED APR. 10, 1906.

2 SHEETS—SHEET 2.

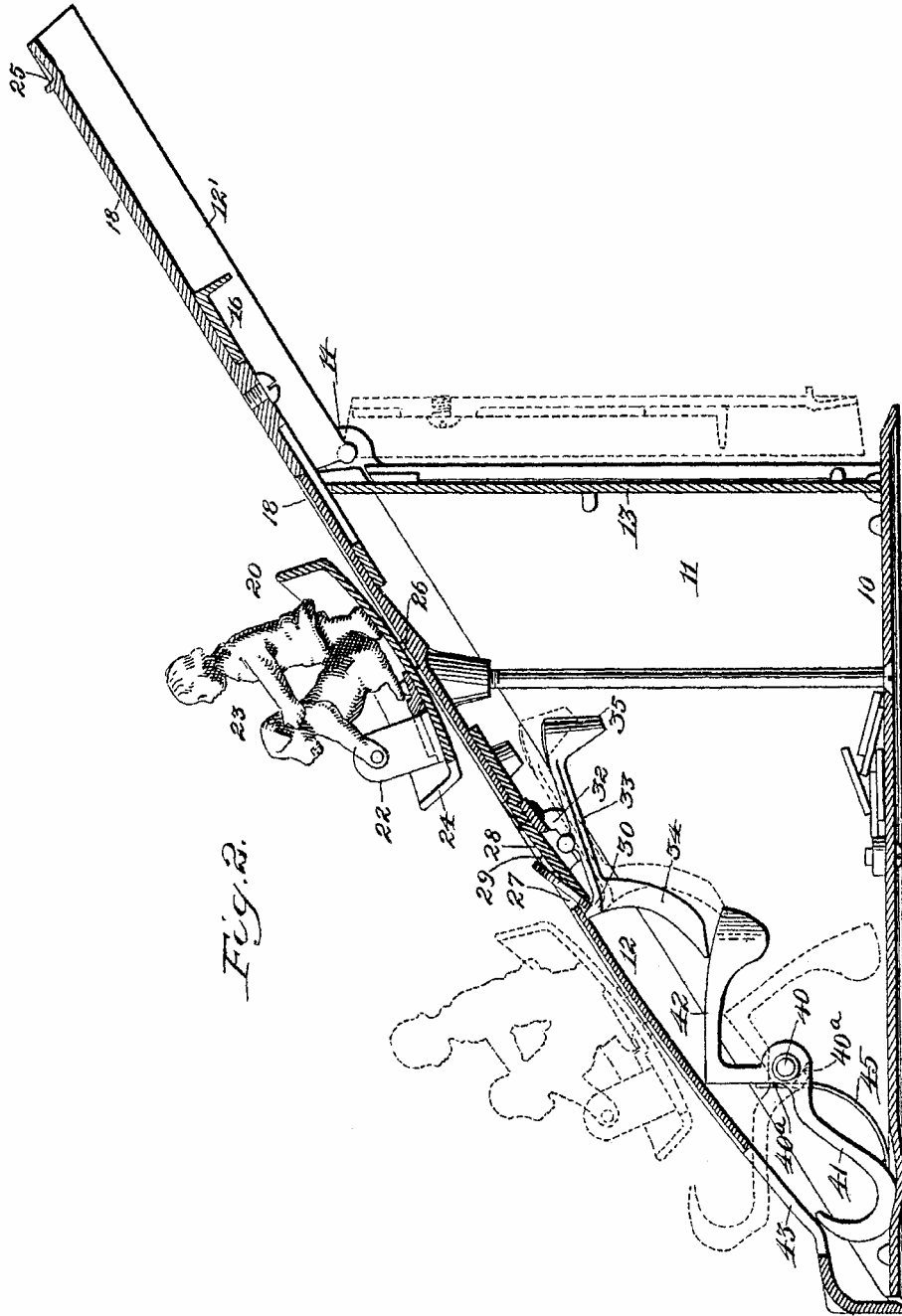


Fig. 2.

Inventor

Charles A. Bailey.

Witnesses

Walter G. ...
Albert C. ...

By Sturtevant & ...
Attorneys

UNITED STATES PATENT OFFICE.

CHARLES A. BAILEY, OF CROMWELL, CONNECTICUT, ASSIGNOR TO THE NATIONAL NOVELTY CORPORATION, OF WESTFIELD, NEW YORK, A CORPORATION OF NEW YORK.

TOY BANK.

No. 815,935.

Specification of Letters Patent.

Patented March 27, 1906.

Application filed April 10, 1905. Serial No. 254,685.

To all whom it may concern:

Be it known that I, CHARLES A. BAILEY, a citizen of the United States, residing at Cromwell, in the county of Middlesex, State of Connecticut, have invented certain new and useful Improvements in Toy Banks, of which the following is a description, reference being had to the accompanying drawings, and to the figures of reference marked thereon.

This invention relates to savings-banks, and has for its principal object to provide a novel and attractive device of simple construction in which a miniature boat or toboggan is employed to force a coin into the bank, a further object being to add to the attractiveness of the device by the addition of movable figures in the boat or toboggan.

A still further object of the invention is to provide a device of this character in which the parts are adjusted for catching and tilting the movable member or boat only after a coin has been forced into the bank, and, further, to utilize the coin as a means for the transmission of motion to the parts.

A still further object of the invention is to provide a structure of this type which may be packed in small compass for shipment or storage purposes.

With these and other objects in view, as will more fully hereinafter appear, the invention consists in the novel construction and arrangement of parts hereinafter described, illustrated in the accompanying drawings, and particularly pointed out in the appended claims, it being understood that various changes in the form and proportions of parts may be made without departing from the spirit or sacrificing any of the advantages of the invention.

In the accompanying drawings, Figure 1 is a perspective view of a toy bank constructed in accordance with the invention, and Fig. 2 is a longitudinal sectional elevation of the same.

Similar numerals of reference are employed to indicate corresponding parts throughout both figures of the drawings.

The device forming the subject of the present invention is in the form of a miniature "shoot the chutes" or toboggan-slide, the inclined plane having a coin-slot through

which the coin is forced by the descending boat or toboggan.

The casing or money-receptacle is formed of cast metal or other material, including a bottom 10, triangular sides 11, an inclined top 12, and a back piece 13, all connected by the usual flanges and tongues and locked together by screws or other securing members.

The extreme upper ends of the sides 12 are provided with perforated ears 14, in which is pivotally mounted a plate 12', forming an extension of the inclined top to secure the desired length of slide, the plate being pivoted, so that it may be folded down parallel with the back to economize space for transportation or storage. The lower face of this plate carries a slidably-mounted bolt 16, which when the plate is adjusted to operative position is projected through a recess or slot at the top of the back piece and bears against the under side of the top 12, thus locking said plate in position. The top 12 and plate 12' are each provided with a raised central portion 18 and side flanges or tracks 19 to form guides for the movable member or boat 20.

The member 20 is preferably in the form of a miniature boat, and its sides are provided with pendent ears 21, which fit against the sides of the raised central portion of the top or "chute" and prevent lateral displacement. In the forward end or bow of the boat is a pair of lugs 22, to which is pivoted a movable figure or figures 23, which may represent a small boy and dog or any other person or animal, these normally being retained in position by gravity, and between the lugs is formed a recess 24 for a purpose hereinafter described.

Near the extreme top of the plate 12' is a recess 25, in which fits a lug 26 on the bottom of the slidable member and normally retains the latter at the top of the chute. At a point about midway the length of the top 12 is a slot 27, and in advance of this is a recess or depression 28, the top plate at this point having a pair of spaced coin-rests 29, so arranged that in connection with a movable rest 30 the upper edge of the coin will be held in the path of movement of the lug 26 on the slidable member.

At a point within the coin-receptacle and

preferably formed integral with the top 12 is a pair of pivot-lugs 32, carrying a lever 33, one arm of which is extended to form the coin-rest 30, and a finger 34, while the other end carries a counterpoise 35 of sufficient weight to normally maintain the movable coin-rest in position against the lower face of the top 12.

The opposite side members 11 have bearing-openings for the reception of a transversely-extending spindle 40, having two flat faces 40^a and carrying or formed integral with two arms 41 and 42. The lower arm 41 is bent to form a hook that extends up through a slot 43 near the bottom of the chute and in the path of the slidable member 20. The rearwardly-extending arm 42 is counter-weighted and is disposed immediately below the finger 34.

Secured to the base 10 is a leaf-spring 45, the free end of which is arranged in contact with the spindle 40 and by engagement with one or other of the flat faces thereof holds the hook member in either raised or lowered position.

When the parts are adjusted for operation, the lug 26 of the slidable member rests in the notch 25 near the top of the chute and the coin is held by the rests 29 and 30 with its upper edge in the path of movement of said lug. The hook is depressed and is held down by engagement of the spring with one of the flat faces 40^a of the spindle 40. The slidable member is then started by raising it until the lug 26 is free from the recess or notch 25. As the slidable member descends lug 26 will strike the coin and move it forcibly against the rest 30, the latter moving down to permit the entrance of the coin to the receptacle. This downward movement is transmitted through the finger 34 to the arm 42, and the hook 41 is raised into the path of movement of the descending member 20, being retained in elevated position by engagement of the spring 45 with the second of the flat faces 40^a of spindle 40.

The recessed face of the movable member engages the hook, and as the descent of the member is suddenly checked the acquired momentum will carry the figure 23 over on its pivots. The parts are manually replaced, hook 41 being depressed and again held by the spring 45.

Having thus described my invention, what I claim, and desire to secure by Letters Patent, is—

1. In a toy bank, a receptacle the top of which forms an inclined plane, a slidable member on said plane and rests for the support of a coin adjacent to a slot in the plane, and in the path of movement of said member.

2. In a toy bank, a receptacle, an inclined plane having a coin-slot, coin-rests adjacent to the slot, one of the rests being movable,

and a slidable member mounted on the plane and arranged to engage a coin supported by the rests.

3. In a toy bank, an inclined plane having a coin-slot, a pivotally-mounted coin-rest adjacent thereto, a slidable member, mounted on the plane and movable over the coin-rest, and a slide-arresting member movable to operative position by downward movement of the coin-rest.

4. In a toy bank, an inclined plane having a coin-slot, a pivoted lever, a coin-rest carried thereby and arranged adjacent to the slot, a slidable member mounted on the plane and movable over the coin-rest, and a two-armed lever pivoted below the plane, one arm being engaged by the coin-rest-carrying lever, and the other being movable into the path of the slidable member.

5. In a toy bank, an inclined plane having a coin slot, a slidable member, and means operable by engagement of the member with the coin for arresting movement of said member.

6. In a toy bank, a movable coin-engaging member, and means operable by engagement of the coin with said member for arresting its movement.

7. In a toy bank, an inclined plane having a coin-slot, a slidable member guided by the plane, a pivotally-mounted figure carried by the member, and means operable by the engagement of said member with a coin for arresting movement of the member, the acquired momentum of the figures causing further movement of the latter.

8. In a toy bank, a receptacle, an inclined plane forming the top of said receptacle and provided with a coin-slot, a lever pivoted within the receptacle and having at one end a coin-rest and a movable finger, and provided at the opposite end with a counterweight, a spindle journaled in the walls of the receptacle and provided with a plurality of flat faces, a spring engaging therewith, an arm projecting from the spindle and arranged to be engaged by the finger, and a second hooked arm carried by the spindle and movable through a slot at the lower portion of the plane and a movable member slidably mounted on said inclined plane, substantially as described.

9. In a toy bank, a receptacle the top of which is arranged at an angle to the horizontal, a pivoted plate movable to a position in alinement with the top and forming in connection therewith an inclined plane, means for locking the plate in position and a coin-engaging member slidably mounted on said inclined plane.

In testimony whereof I affix my signature in presence of two witnesses.

CHAS. A. BAILLEY.

Witnesses:

PERCY FRANCIS,
ARTHUR BOARDMAN.