

(No Model.)

A. R. CLARKE.  
SAVINGS BANK.

No. 591,110.

Patented Oct. 5, 1897.

Fig. 1.

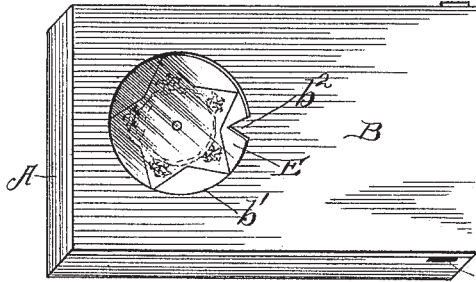


Fig. 2.

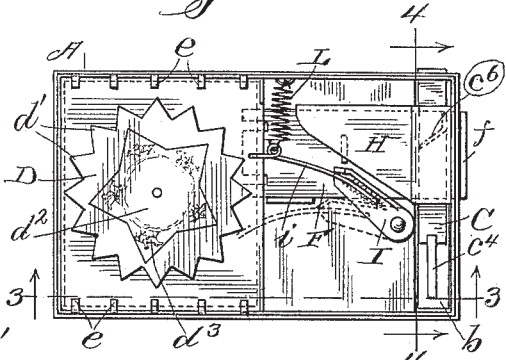


Fig. 3.

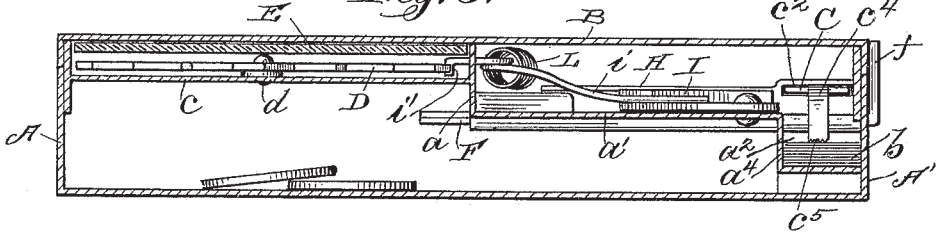


Fig. 4.

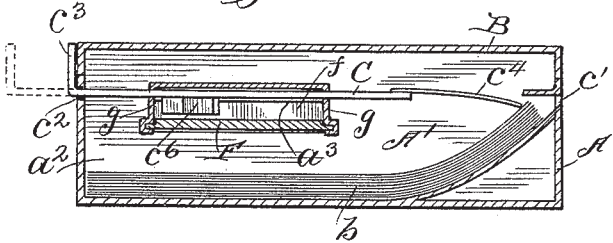
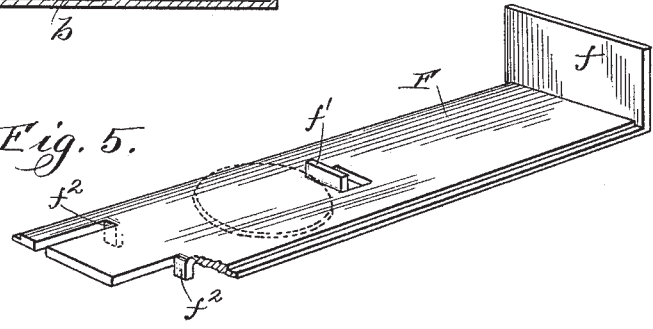


Fig. 5.



Witnesses:  
W. J. Jaeger.  
E. A. Duggan.

Inventor:  
Arthur R. Clarke  
BY Chas. C. Tillman, Atty

# UNITED STATES PATENT OFFICE.

ARTHUR R. CLARKE, OF CHICAGO, ILLINOIS, ASSIGNOR OF THREE-FOURTHS  
TO EMMA ALLARDYCE AND VICTOR DUMONT, OF SAME PLACE.

## SAVINGS-BANK.

SPECIFICATION forming part of Letters Patent No. 591,110, dated October 5, 1897.

Application filed May 10, 1897. Serial No. 635,870. (No model.)

*To all whom it may concern:*

Be it known that I, ARTHUR R. CLARKE, a citizen of the United States, residing at Chicago, in the county of Cook and State of Illinois, have invented certain new and useful Improvements in Savings-Banks, of which the following is a specification.

This invention relates to improvements in a savings bank or box for the reception and retention of coins; and it consists in certain peculiarities of the construction and novel combinations and the operation of the various parts thereof, as will be hereinafter more fully set forth and specifically claimed.

The objects of my invention are to provide a savings bank or box which shall be compact in form, attractive in appearance, strong, and durable, yet quite inexpensive in construction, and such a bank or box from which the coins cannot be removed except by the destruction thereof or by the removal of certain parts of the device.

Other objects of the invention are to provide a mechanism to be operated by the deposit of a coin of a specific denomination, thereby affording as inducements to the depositor amusement and when desired delivery to him of an article as a *quid pro quo* or compensation.

In order to enable others skilled in the art to which my invention pertains to make and use the same, I will now proceed to describe it, referring to the accompanying drawings, in which—

Figure 1 is a perspective view of the bank or box embodying my invention. Fig. 2 is a plan view thereof with the top and glass cover removed, showing the interior mechanism. Fig. 3 is an enlarged longitudinal sectional view taken on line 3 3 of Fig. 2. Fig. 4 is an enlarged cross-sectional view taken on line 4 4 of Fig. 2, as indicated by the arrows; and Fig. 5 is a detached perspective view of the coin-carrying slide.

Similar letters refer to like parts throughout the different views of the drawings.

A represents a box or casing which may be made of any suitable size, form, and material, but preferably of sheet metal and rectangular in shape. About the middle and extending across the upper portion of the box is a ver-

tical partition *a*, to the lower portion of which is secured a horizontal partition *a'*, which extends to near one end of the casing A and is then bent downwardly and then horizontally to form the compartment *a*<sup>2</sup> for the reception of the slips of paper *b* or other articles. Between the partition *a* and the opposite end of the casing from that in which the compartment *a*<sup>2</sup> is located is placed horizontally in the upper part of the casing a floor *c*, whose ends may be secured to the partition *a* and end of the casing in any suitable manner.

The upper part of the casing is provided with a cover B, which has near one of its ends a circular opening *b'*, as shown in Fig. 1 of the drawings. On the upper surface of the floor *c* is secured on a pivot *d* the wheel D, which has in its periphery a series of teeth or projections *d'* and on its upper surface ornamental figures *d*<sup>2</sup>, which, as shown, may be in the shape of a five-pointed star, near each point of which is placed the picture of a horse *d*<sup>3</sup> or other object. Located above the wheel D and resting on suitable lugs *e*, extending inwardly from the sides of the casing, is a piece of glass E, which is protected by means of the cover, as is clearly shown in Figs. 1 and 3 of the drawings. The opening *b'* in the cover B is of sufficient size to cover the points or teeth *d'* of the wheel, but to exhibit the points of the star or figure *d*<sup>2</sup> thereon, and the edge of said opening is provided with a projection *b*<sup>2</sup> or indicating-mark.

The end A' of the casing is formed with a slot *a*<sup>3</sup> for the reception and operation of the sliding bar F, which bar has its outer end formed or provided with an upturned portion *f* to act as a handle, by means of which it may be moved back and forth, and is supported horizontally within the casing by means of pieces *g*, which may be provided with grooves on their adjacent surfaces to receive the said bar, as is clearly shown in Fig. 4 of the drawings. The upper surface of the bar F is provided with a projection *f'*, against which the coin may rest when being pushed into the casing, and the lower surface of said bar is provided with one or more projections *f*<sup>2</sup> near its inner end, as shown in Fig. 5, to prevent the bar being entirely withdrawn from the

casing. Above the slot  $a^3$  in which the bar F operates is located in a horizontal position a piece H, which prevents the displacement of the coin while on the bar F in the event the box or casing should be inverted. Pivotal-ly secured on the upper surface of the partition  $a'$  is a lever I, which is formed or provided with a projection or arm  $i$ , the free end of which is downturned, as at  $i'$ , to strike the teeth  $d'$  of the wheel D after said arm shall have been released from the coin. Secured at one of its ends to the arm  $i$  and at its other end to the casing is a spring L, which actuates said arm and the lever to which it is secured. Each side of the casing near the end A' thereof is provided with slots  $c'$  and  $c^2$ , through the former of which may be passed the slips of paper  $b$  or other articles which have been deposited in the compartment  $a^2$ , the upper portion of which compartment is open, as shown in Fig. 3. Passing through the slot  $c^2$  and transversely over the guide-pieces  $g$  is a sliding bar C, the outer end of which is upturned or formed with a handle  $c^3$ , while its inner end is provided with a deflected spring  $c^4$ , the end of which may be pointed or provided with teeth  $c^5$ , as shown in Fig. 3, to engage the slips of paper  $b$  or other articles. The lower surface of the bar C is formed or provided with an inclined lug or projection  $c^6$ , against which the coin may contact while resting on the sliding bar F and as it is pushed into the casing. The articles placed in the compartment  $a^2$  may be slips of paper  $b$  with suitable inscriptions thereon or may be postage-stamps or other desirable articles.

To operate the device, the bar F is withdrawn until the projections  $f^2$  near the inner end thereof strike against the wall  $a^4$  of the compartment  $a^2$ , when the coin may be placed on the bar in front of the projection  $f'$ , on the upper surface thereof, when the bar may be pushed inwardly, in which operation the coin will contact with the inclined lug  $c^6$  on the bar C and slide said bar to the position indicated by dotted lines shown in Fig. 4 of the drawings. By pressing the bar F farther inwardly within the casing the coin will contact with the side of the lever I and force it to the position indicated by dotted lines shown in Fig. 2 of the drawings until the coin shall have passed the end of the said lever, when

it (the lever) will be suddenly released therefrom, which operation will cause the downturned portion  $i'$  of the arm  $i$  to strike the teeth  $d'$  of the wheel D and cause said wheel to revolve with great speed on its pivot, in the revolution of which it will afford amusement to guess which one of the figures  $d^3$  will stop nearest the point or goal-mark  $b^2$  of the opening in the cover. The sliding bar C may then be pushed inwardly, when the deflected spring  $c^4$  thereof will engage one of the slips  $b$  and force its end through the slot  $c'$ , from which it may be removed. It is apparent that after the coin shall have passed the end of the lever I and said lever assumed its normal position and the bar F is withdrawn the coin will be removed therefrom and deposited within the casing.

Having thus fully described my invention, what I claim as new, and desire to secure by Letters Patent, is—

1. The combination with a casing, of a wheel or disk pivotally secured therein and exposed to view, a spring-actuated lever pivotally secured in said casing and having an arm or extension, the free end of which is adapted to contact with the wheel, a sliding bar extending through the casing near said lever and having means to secure a coin thereon, to engage the lever as the bar is pushed inwardly, substantially as described.

2. The combination with a casing, of a wheel or disk pivotally secured therein and exposed to view, a spring-actuated lever pivotally secured in said casing and having an arm or extension, the free end of which is adapted to engage the wheel, a sliding bar extending through the casing near said lever and having means to secure a coin thereon to engage the lever as the bar is pushed inwardly, the transverse compartment at the end of the casing, in which the sliding bar is inserted, said compartment having slots or openings at each of its ends, and a sliding bar having on its lower surface an inclined lug and at its inner end a deflected piece, said sliding bar extending across the first-named bar, substantially as described.

ARTHUR R. CLARKE.

Witnesses:

CHAS. C. TILLMAN,  
E. A. DUGGAN.