

(No Model.)

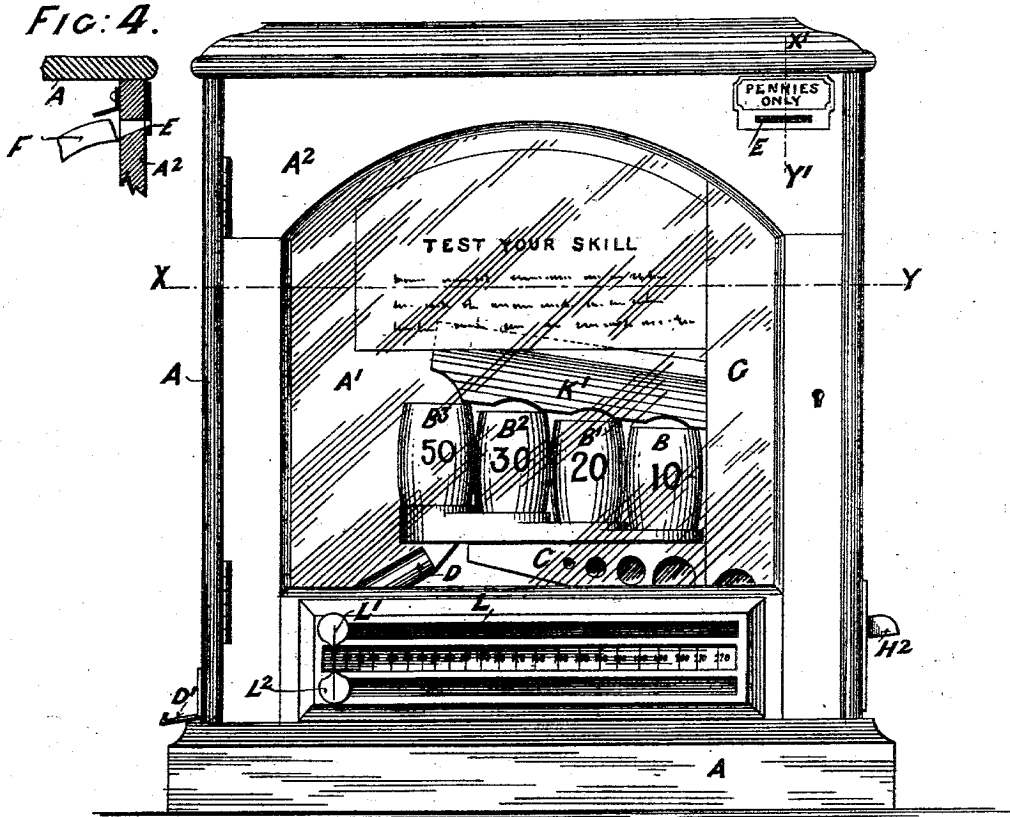
2 Sheets—Sheet 1.

G. S. SMITH, G. HAYDON & F. H. URRY.
COIN SHOOTING MACHINE.

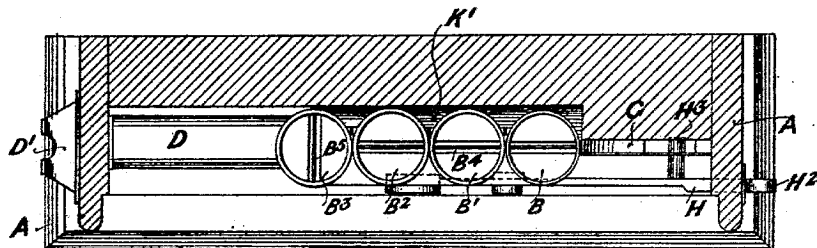
No. 553,078.

Patented Jan. 14, 1896.

— FIG: 1. —



— FIG: 3. —



Witness
Chas. Smith
J. Staib

Inventors
Geo. S. Smith
Geo. Haydon
Frank H. Urry
per Lemuel W. Searell
Attys.

(No Model.)

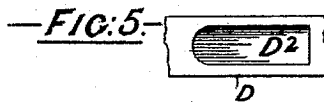
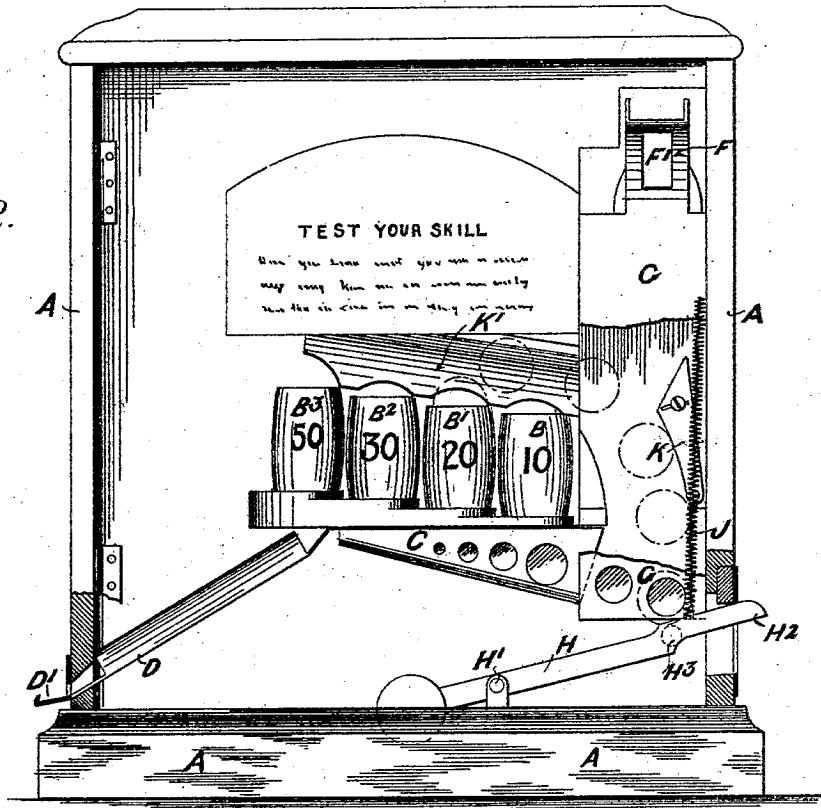
2 Sheets—Sheet 2.

G. S. SMITH, G. HAYDON & F. H. URRY.
COIN SHOOTING MACHINE.

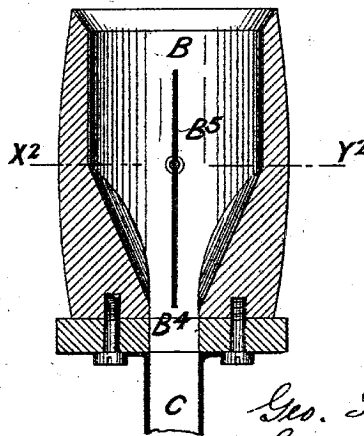
No. 553,078.

Patented Jan. 14, 1896.

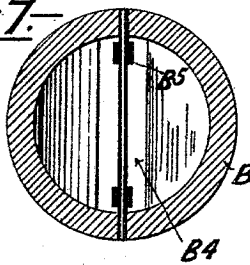
Fig. 2.



—FIG. 6.—



—FIG. 7.—



Witnesses
Chas. N. Smith
J. Staib

Inventors
Geo. S. Smith
Geo. Haydon
Frank H. Urry
per Lemuel W. Serrell
att'y

UNITED STATES PATENT OFFICE.

GEORGE SOMMERVILLE SMITH, GEORGE HAYDON, AND FRANK H. URRY, OF LONDON, ENGLAND, ASSIGNORS OF ONE-HALF TO FUCHS MICHAEL MARTIN, OF SAME PLACE.

COIN-SHOOTING MACHINE.

SPECIFICATION forming part of Letters Patent No. 553,078, dated January 14, 1896.

Application filed May 23, 1895. Serial No. 550,327. (No model.) Patented in England November 12, 1894, No. 21,756.

To all whom it may concern:

Be it known that we, GEORGE SOMMERVILLE SMITH, GEORGE HAYDON, and FRANK HARVEY URRY, subjects of the Queen of Great Britain, residing at Gray's Inn Road, in the city of London, England, have invented a certain new and useful Coin-Shooting Machine, (for which a patent has been granted to us in Great Britain, bearing date November 12, 1894, No. 21,756,) of which the following is a specification.

This invention refers to a game of skill in which varying results are obtained by shooting a coin into receptacles displayed within the machine, such coin being in certain circumstances returned again to the shooting-point and capable of being reshot, or returned to the operator, or freeing coin-controlled mechanism for the delivery of articles in exchange therefor, or the coin may fall into the case or box.

With reference to the accompanying drawings, Figure 1 is a front elevation. Fig. 2 is a similar view, the door and certain parts being partially removed to show arrangements hereinafter mentioned. Fig. 3 is a horizontal section on the line xy of Fig. 1. Fig. 4 is a detached sectional view on the line $x'y'$ of Fig. 1. Fig. 5 is a view of part of the under side of the returned coin-chute. Fig. 6 is a vertical cross-section, on an increased scale, of one of the coin-receptacles; and Fig. 7, a horizontal section on line x^2y^2 of Fig. 6.

The machine consists of a case A having a plate-glass front A' carried by a hinged frame A². In the interior are arranged a series of receptacles—say in the form of barrels B B' B², &c.—each marked with numbers or indicators. A row of four barrels B B' B² B³ is shown rising from right to left, the top of each barrel being somewhat above the preceding one. The barrel B nearest the firing point may bear the lowest number, B' a higher, and so on. In some cases, although not so shown, the barrels B B' B² may be placed close together, while B³ may be a sufficient distance away, and thereby allow the coin, if not shot into either barrel, to fall through the interspace.

The barrels B B', &c., are similar in con-

struction, being open at the top and of more than sufficient size to receive the coin, while at the bottom of each barrel is a slot B⁴ by which the coin may pass away. To insure the coin passing through the slot B⁴ in a vertical position or edgewise we provide a partition B⁵ fastened vertically inside the barrel parallel with the slot B⁴ dividing the barrel into two equal compartments. We generally pivot the partition B⁵ about centrally, as shown at Fig. 6, but the upper edge of the partition should be below the top of the barrel.

The coins received by the barrels B B' B² pass therefrom into a shoot C, the inclination of which causes the coins to be conveyed back to the firing-point, so that every coin so conveyed may be again fired but not returned to the operator. If, however, the coin falls into the barrel B³, it is received by a chute D leading to the outside of the case at D', whereby the coin is returned to the operator.

Instead of the coin being directly returned it may be conducted into a machine to free a delivery mechanism and enable the operator to obtain an article therefrom.

The coin is inserted into the machine by the aperture E, Figs. 1 and 4, passing by the guide-passage F into a vertical chute G, wherein the coins are retained in (approximately) an upright position until shot therefrom. The front of the chute G is perforated so that the coin may be visible. The base of the chute G is partially closed, the opening being of such size that it retains a coin of the proper size while allowing its lower edge to project somewhat below the opening to be struck by the shooting appliance hereinafter mentioned. Coins placed in the machine of less than the predetermined size fall into the case A either by the aperture F' in the guide-passage F, Fig. 2, or by the base of the chute G, or if by chance it comes into the barrel B³ it will still escape by the opening D² in the chute D; Fig. 5.

The shooting apparatus is composed of a lever H, mounted upon a pivot H'. One end of this lever H protrudes through a slot in the case and forms a trigger H², by which the lever may be pressed down against the elasticity of a spring J attached thereto. The

lever H has a rear projection H³ extending across the lower opening of the chute G to act as a striker for the coin.

When a coin has been inserted, upon the trigger H² being pulled down and released sharply the rear projection H³ strikes the lower edge of the coin in the chute G and impels it upward with a trajectory, varying in degree according to the force with which the coin has been struck. The coin is thus thrown out of the chute G laterally, and an adjustable impact-plate K, Fig. 2, is provided by which its course is directed toward the barrels, as is indicated by the dotted lines, Fig. 2. K' is a guide-plate inclined from the back of the case A to direct the falling coin into the barrels.

Attached to the case is a scoring apparatus L having pointers L' L² capable of being slid in slots to indicate numbers on an index and record the numbers gained.

Instead of the barrels being upright they may be placed in other positions, and instead of barrels other receptacles may be used, such as a board with holes therein.

We claim—

1. In a coin shooting game machine the combination with the case A, a transparent front A' thereto, a vertical entrance chute G for the coin, a coin shooting spring lever H at the base of the chute G operated from outside the case, and an impact plate K to direct the coin through a side opening in the chute G; of a number of receptacles B to receive the falling coin, a chute D to conduct the coin from one special receptacle to the exterior of the case, and an inclined coin chute C from the remaining receptacles to the coin shooting lever to conduct a coin entering any of

these receptacles back to the shooting point to be again shot, as set forth.

2. In a coin shooting machine, the combination with the case A, a transparent front A', thereto, an entrance chute G for the coin, a coin shooting spring lever H, located at the base of the chute G, to be operated from the exterior of the case, and an impact plate K to direct the coin laterally; of several receptacles each marked with a numerical value to receive the falling coin, a chute D, to conduct the coin falling into one receptacle to the exterior of the case, and an inclined chute C, from the remaining receptacles to return the coin to the shooting device to be again projected, substantially as set forth.

3. In a coin shooting game machine, the combination with the inclosing glass fronted case A, a coin entrance chute, a spring coin projecting mechanism and a deflecting plate K in the chute to direct the projected coin laterally; of a number of open mouthed receptacles B B' B² B³ to receive the falling coin, a vertical pivoted partition in the interior of each receptacle to cause the falling coin to assume an edgewise position and an exit slot B⁴ at the base of each receptacle, a coin chute D from one receptacle to the exterior of the case, and a coin chute C from the remaining receptacles to return the coin to the firing point to be again projected, substantially as set forth.

G. SOMMERVILLE SMITH.
GEORGE HAYDON.
FRANK H. URRY.

Witnesses:

L. N. ROGERS,
E. W. ERVILLE.