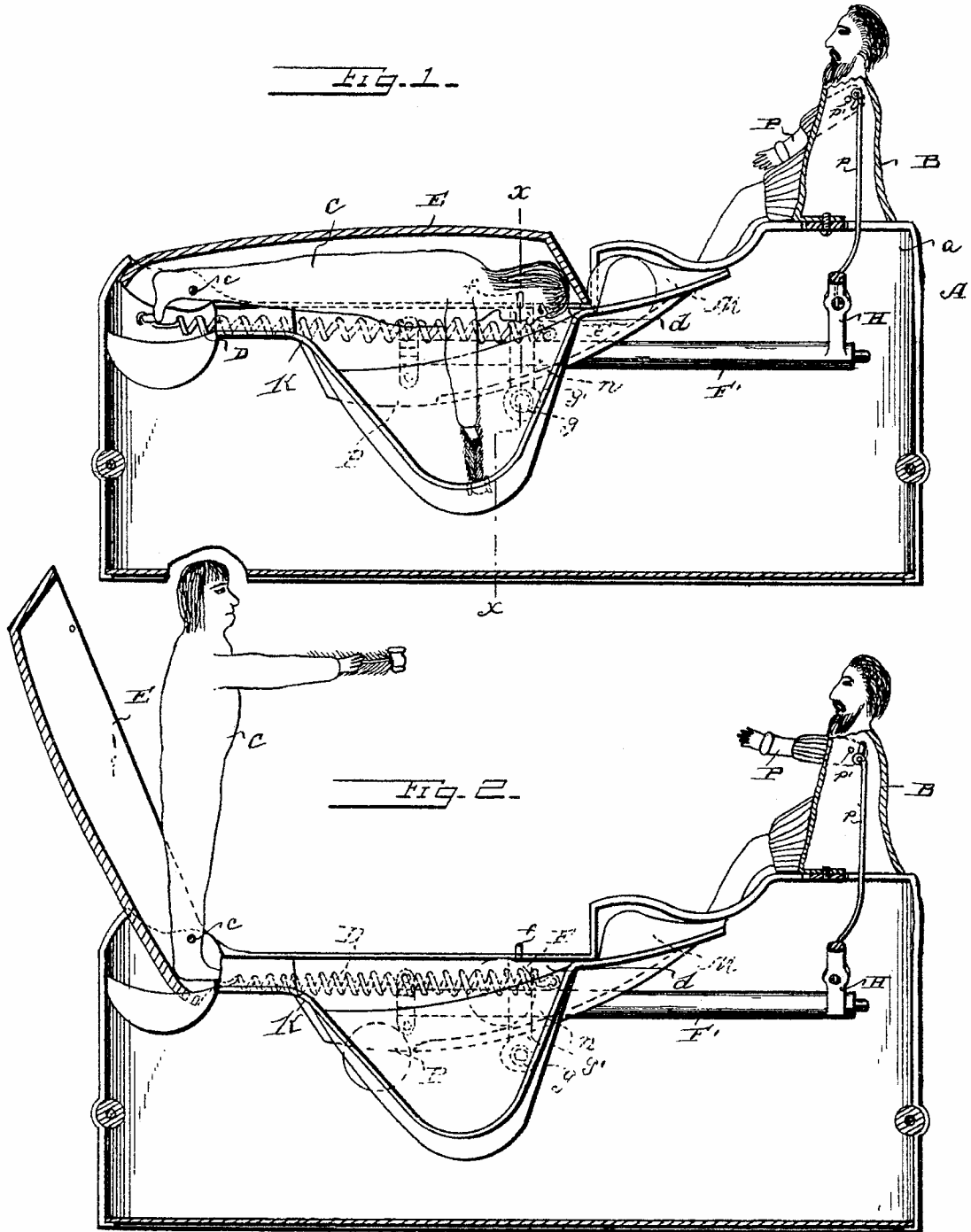


C. A. BAILEY.
TOY MONEY BANK.

No. 506,619.

Patented Oct. 10, 1893.



WITNESSES
Jesse Heller
Philip Alessi.

INVENTOR
Chas A. Bailey
 by *W. Anderson*
his Attorney

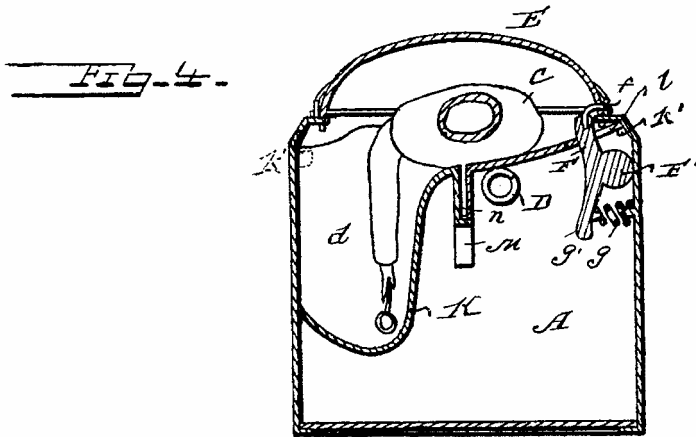
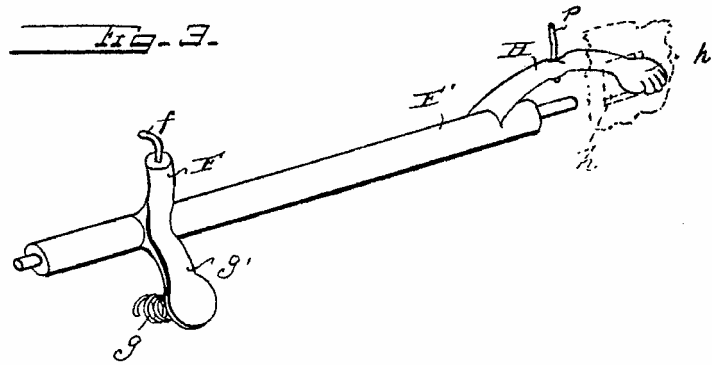
(No Model.)

2 Sheets—Sheet 2.

C. A. BAILEY.
TOY MONEY BANK.

No. 506,619.

Patented Oct. 10, 1893.



WITNESSES

Jesse Heller.
Philip Massi.

INVENTOR

Chas. A. Bailey
by E. W. Anderson
his Attorney

UNITED STATES PATENT OFFICE.

CHARLES A. BAILEY, OF CROMWELL, CONNECTICUT, ASSIGNOR TO THE
J. & E. STEVENS COMPANY, OF SAME PLACE.

TOY MONEY-BANK.

SPECIFICATION forming part of Letters Patent No. 506,619, dated October 10, 1893.

Application filed April 15, 1893. Serial No. 470,420. (No model.)

To all whom it may concern:

Be it known that I, CHARLES A. BAILEY, a citizen of the United States, and a resident of Cromwell, in the county of Middlesex and State of Connecticut, have invented certain new and useful Improvements in Toy Money-Banks; and I do declare the following to be a full, clear, and exact description of the invention, such as will enable others skilled in the art to which it appertains to make and use the same, reference being had to the accompanying drawings, and to letters of reference marked thereon, which form a part of this specification.

Figure 1 of the drawings is a vertical longitudinal section of box closed. Fig. 2 is a similar section of box open. Fig. 3 is a detail view in perspective. Fig. 4 is a vertical transverse section on line *x x*.

This invention has relation to certain new and useful improvements in toy money banks or boxes, the object being to provide an attractive and amusing device for the reception of small coins, the insertion of which will be attended with certain mechanical movements of images or figures placed upon the box or bank; and the invention consists in the novel construction and combination of parts, all as hereinafter specified and pointed out in the claims.

Referring to the accompanying drawings, the letter A designates the box or receptacle, which, although shown as of oblong form, may be of any suitable and pleasing shape. The surfaces of the box or receptacle may be ornamented by any attractive or appropriate design or configuration. Seated upon a raised portion *a* at one end of the said box or receptacle is a figure B, which may as shown represent a man, although it may be made to represent any other desired object. At the opposite end of the box or receptacle is a second figure C, the foot portion of which is pivoted within the upper portion of the receptacle, by a pin or pivot rod *c*, and connected to the foot of said figure within the receptacle is a spring D, the tension of which tends to hold the figure when free in an upright position. In normal position however, the said figure is rocked over forwardly into a horizontal position, and is partially received in a cut-away

portion *d* in the upper portion of the receptacle. On the same pivot rod or pin with the figure is a cover E, which is made to close down over said figure when the latter is in horizontal position, and when so closed, said cover forms a part of the upper portion of the receptacle. The cover is normally held closed by a small catch *f*, which engages with said cover, said catch *f* being carried by an arm F of a rock shaft F', within the receptacle. A spring *g* bearing against an arm *g'* of said shaft and against the inner wall of the receptacle, holds said catch normally in position to engage said cover. At the rear portion of said shaft is another arm H, which projects obliquely upward, and out through a slot *h* in the opposite side of the receptacle, terminating in a finger piece or lug *h'*. By pressing downwardly on this piece or lug *h'*, the shaft F' is rocked sufficiently to release the catch *f* on the arm F from engagement with the cover E. The lower portion of the figure C, when in its horizontal position is inclosed in a guard K, which is supported within the upper portion of the receptacle by lugs *k'* integral with the walls of the receptacle, said guard being slotted at *l* to permit the movement of the arm F of the rock-shaft.

In front of the figure B at the foot thereof, a slot M is formed in the upper central portion of the receptacle, said slot being designed to receive a coin in edgewise position, the coin falling through said slot into a chute *n* in said guard. At the lower rear end of said chute is a slot *p* through which the coin may pass into the receptacle.

The operation is as follows:—A coin is dropped through the slot M into the upper portion of the chute *n*, but is prevented from rolling down said chute into the receptacle by the forward edge of the cover E. The lug or finger piece *h'* is then depressed, actuating the rock-shaft, and releasing the catch *f* from engagement with the cover. The spring D then acts upon the figure C, raising it with the cover into upright position, facing the figure B. The coin then rolls down the chute *n* and drops into the receptacle. In order that the figure C and its cover may move together, the foot of the figure has a bearing against the end portion of the latter.

In the drawings, one arm P of the figure A is shown as pivoted to the figure, and a connection *p* is made between the pivot *p'* of said arm and the arm H of the rock-shaft F', so
5 that when the said shaft is operated to release the catch *f*, said arm of the figure will be thrown upwardly or extended.

The bottom plate of the box may be perforated if desired in order to permit inspection
10 of the interior.

Access to the box may be provided by making the box in separable sections, as shown, or in any other desired manner.

Having described this invention, what I
15 claim, and desire to secure by Letters Patent, is—

1. In a toy money box or bank, the combination with the box or receptacle, of the two
20 figures at opposite ends thereof, one of said figures being pivoted at its foot portion within said box or receptacle, a spring connected to said figure and acting to throw it and retain it in an upright position, a cut-away portion
25 in the upper part of said box or receptacle to receive said figure, the cover carried on the same pivot as said figure, the lock therefor, and means for releasing said lock, substantially as specified.

2. In a toy money box or bank, the combination with a box or receptacle, of the figure
30 pivoted at its foot portion within said box or receptacle, and adapted to be received in the upper portion of said box or receptacle, the cover carried by the pivot of said figure, its
35 lock, means for releasing said lock, and a spring arranged to throw said figure into upright position when said lock is released, substantially as specified.

3. In a toy money box or bank, the combination with the box or receptacle, the pivoted
40

figure, the pivoted cover for said figure, the lock for said cover, and means for releasing said lock and for actuating said figure, of the guard plate within said box or receptacle, and
45 the coin chute in said guard, said coverserving as a stop to prevent the coin from passing along said chute until said cover is released, substantially as specified.

4. In a toy bank, the combination with the box or receptacle, the pivoted figure C adapted
50 to normally lie within the upper portion of said box or receptacle in horizontal position, the spring arranged to throw said figure into upright position, a rock-shaft having an arm provided with a catch which normally
55 prevents said figure from being acted upon by said spring, and a second arm of said shaft projecting through the wall of said box or receptacle, substantially as specified.

5. A toy money box or bank, comprising a box
60 or receptacle, a figure at each end of said box, one of said figures being pivoted at its foot portion within said box, the pivoted cover for said figure, the catch for holding said
65 cover and figure in horizontal position, the spring connected to said figure and acting to throw it into upright position, the rock shaft having an arm carrying said catch, and a second arm projecting through a slot in the wall
70 of said box or receptacle, the other of said figures having a pivoted arm connected also with said rock shaft, substantially as specified.

In testimony whereof I affix my signature in presence of two witnesses.

CHAS. A. BAILEY.

Witnesses:

CHAS. CRAFT,
ARTHUR BOARDMAN.