

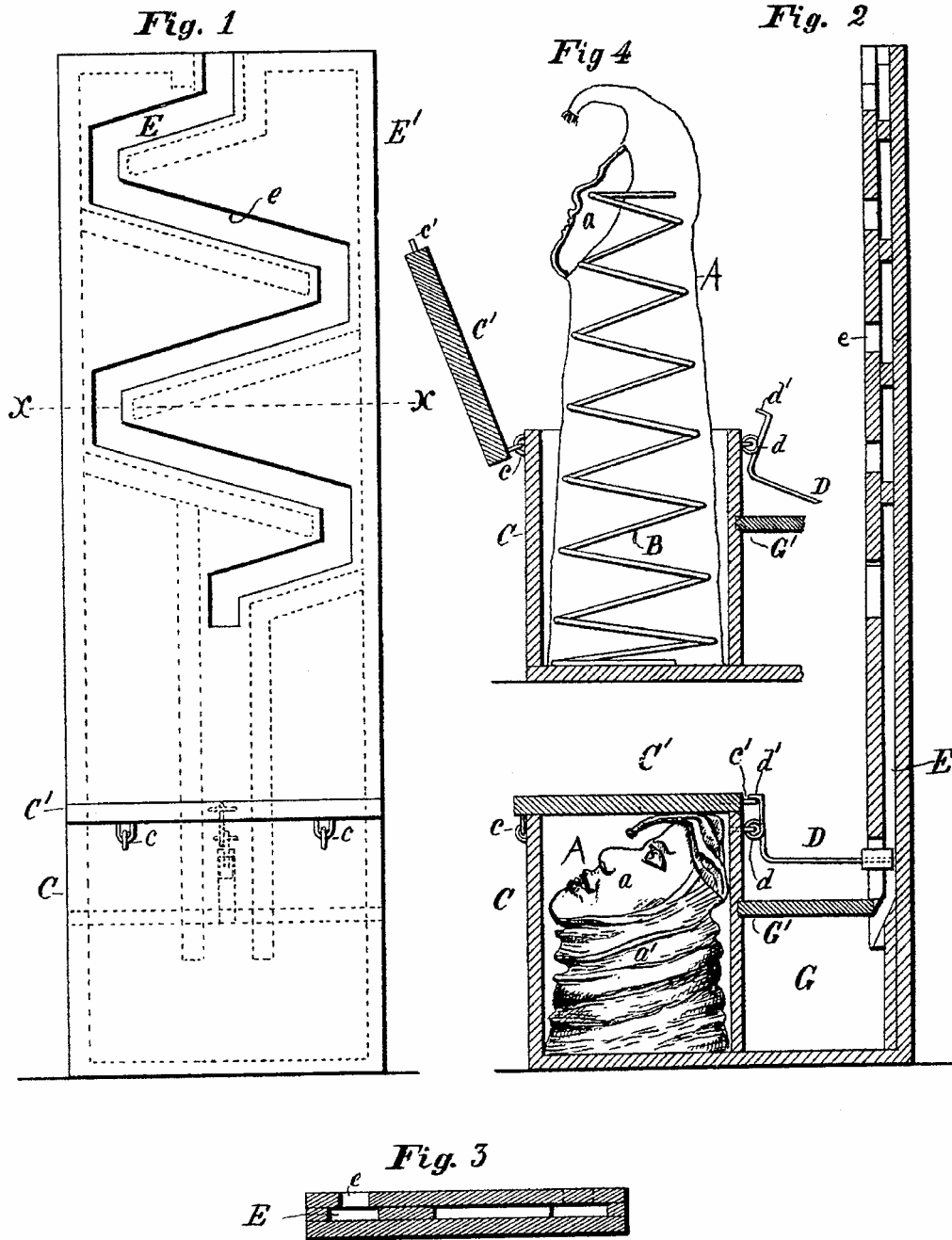
(No Model.)

M. NEWMAN & G. H. BENNETT.

COIN OPERATED TOY.

No. 413,204

Patented Oct. 22, 1889.



WITNESSES:

S. P. Edwards
A. J. Ferguson

INVENTORS

Moses Newman and
George H. Bennett
BY *Gifford and Brown*

THEIR ATTORNEYS

UNITED STATES PATENT OFFICE.

MOSES NEWMAN AND GEORGE HENRY BENNETT, OF NEW YORK, N. Y.

COIN-OPERATED TOY.

SPECIFICATION forming part of Letters Patent No. 413,204, dated October 22, 1889.

Application filed August 5, 1889. Serial No. 319,843. (No model.)

To all whom it may concern:

Be it known that we, MOSES NEWMAN and GEORGE HENRY BENNETT, both of the city, county, and State of New York, have invented a certain new and useful Improvement in Coin-Operated Toys, of which the following is a specification.

We will describe a toy embodying our improvement, and then point out the novel features in the claims.

In the accompanying drawings, Figure 1 is a front view of a toy embodying our improvement. Fig. 2 is a central vertical section thereof. Fig. 3 is a horizontal section taken at the plane of the line $x x$, Fig. 1. Fig. 4 is a vertical section of certain parts.

Similar letters of reference designate corresponding parts in all the figures.

A designates a moving figure. In the present instance it consists of a face or mask a , representing a human being, and a body a' of flexible material—such as a woven fabric. Combined with this moving figure is a motor for imparting motion to it. In the present instance this motor consists of a coiled spring B, arranged in an upright position. The moving figure is represented as inclosed in a box C. The spring B bears against the bottom of this box and against the face or mask a of the figure. The box C has a lid C', (here shown as connected with the box by a hinge c .) The lid serves to hold down the figure and keep the motor or spring B compressed, and in order that it may do this it is normally retained closed by a detent D. Upon the disengagement of the detent from the lid the latter will be opened by the force of the motor or spring and the figure will rise out of the box C. The detent, as here shown, consists of a lever fulcrumed at d to one side of the box C and provided at one end with a hook d' , which may engage with a pin or hasp c' , extending from the lid.

E designates a coin-receiver. In the present instance it is made in the form of a sinuous chute in an upright portion E' of the toy. It is intended to receive a coin dropped into it edgewise. There is, in the present instance, a slot e at the front of the coin-receiver, so that a coin rolling or sliding down

the receiver may be seen at the front of the toy.

In this toy it is intended that a coin of any size will have sufficient weight or power to operate the detent. By making the chute sinuous, as described, a long track or course is provided, so that a very light coin will gain force in its travel and strike the detent with sufficient power to operate it.

The detent D projects into the coin-receiver, as may be seen in Fig. 2. The coin-receiver at the bottom communicates with a vault intended to receive the coins and retain them. This vault may be a portion of the box C; but in the present instance it is shown as consisting of a separate box G. This will be provided with a removable cover G' to provide for taking out the coins. This cover may be secured by a lock, or in any other manner, so that the toy may be used as a bank.

The coins are intended to be introduced into the receiver and to disengage the detent from the lid C' of the box C in passing through the receiver into the vault.

It will be seen that the detent D serves to control the motor B, which operates the moving figure.

The toy may be made of any desired material or materials.

What we claim as our invention, and desire to secure by Letters Patent, is—

1. In a toy, the combination, with a box having a hinged lid, of a movable figure in said box having a flexible body, a motor for actuating the figure, a detent for engaging with the lid of the box, and a sinuous chute, into which one end of the detent extends to be operated upon by the weight of a coin, substantially as specified.

2. The combination, with a movable figure having a motor controlled by a detent, of a sinuous chute for coin, having a sinuous slot or opening in its front, so that a coin may be seen as it passes to the detent, substantially as specified.

MOSES NEWMAN.

GEORGE HENRY BENNETT.

Witnesses:

S. O. EDMONDS,

C. R. FERGUSON.