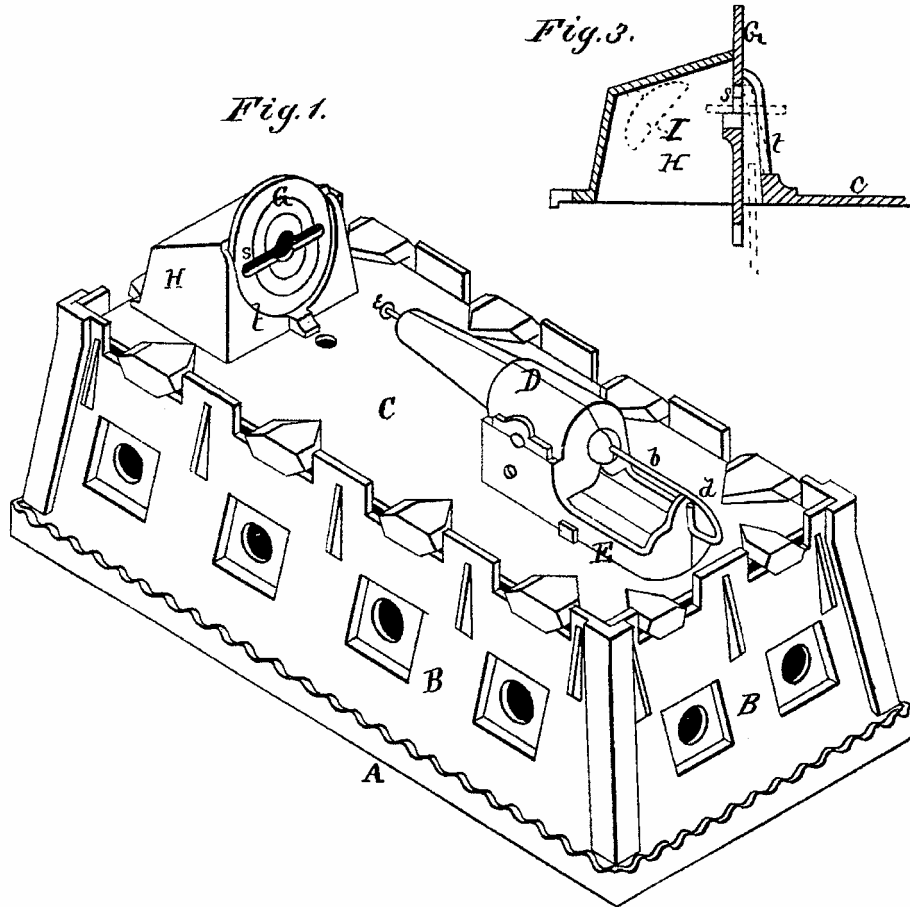


L. C. HOFFMEISTER.

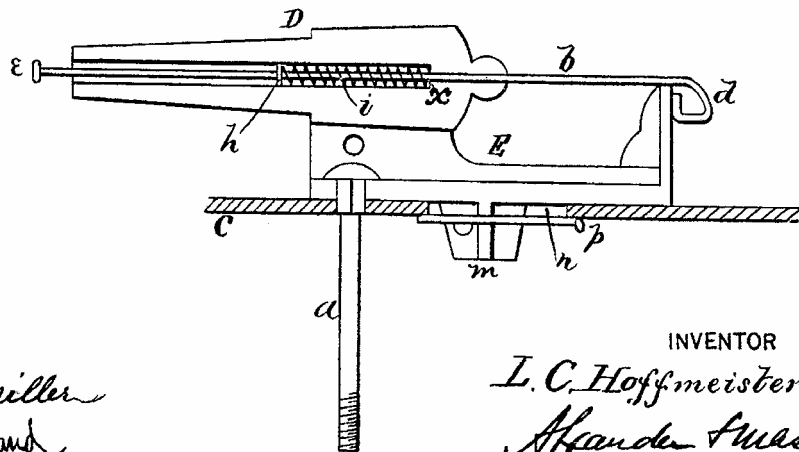
TOY MONEY-BOX.

No. 188,635.

Patented March 20, 1877.



*Fig. 2.*



WITNESSES

*Henry N. Miller*  
*Frank L. Curran*

INVENTOR

*L. C. Hoffmeister.*  
*Alexander Sullivan*  
ATTORNEYS.

# UNITED STATES PATENT OFFICE

LOUIS C. HOFFMEISTER, OF PHILADELPHIA, PENNSYLVANIA, ASSIGNOR OF ONE-HALF HIS RIGHT TO H. M. BEIDLER, OF SAME PLACE.

## IMPROVEMENT IN TOY MONEY-BOXES.

Specification forming part of Letters Patent No. 1,885,635, dated March 30, 1877; application filed January 20, 1877.

*To all whom it may concern:*

Be it known that I, LOUIS C. HOFFMEISTER, of Philadelphia, in the county of Philadelphia and State of Pennsylvania, have invented certain new and useful Improvements in Toy Banks; and I do hereby declare the following to be a full, clear, and exact description thereof, reference being had to the accompanying drawing, and to the letters of reference marked thereon.

The nature of my invention consists in the construction and arrangement of a toy bank representing a fort, with a cannon and target on top for shooting the pieces of money into the bank, as will be hereinafter more fully set forth.

In order to enable others skilled in the art to which my invention appertains to make and use the same, I will now proceed to describe its construction and operation, referring to the annexed drawing, which forms a part of this specification, and in which—

Figure 1 is a perspective view of my improved toy bank. Fig. 2 is an enlarged longitudinal section of the cannon, showing the mode of fastening the same to the top of the bank. Fig. 3 is an enlarged transverse vertical section of the target and target-house.

A represents the bottom, B the sides, and C the top, of a toy bank made in the imitation of a fort, and the parts held together by means of a single bolt, *a*, substantially in the same manner as ordinarily done in toy banks now known.

D represents a cannon mounted on a carriage, E, and having a rod, *b*, passing longitudinally through it, the cannon having a central bore, with a shoulder, *e*, near the breech. The rear end of the rod *b* forms a catch, *d*, and on the front end is formed or attached a button, *e*.

At a suitable point on the rod *b* is further fastened a circular flange, *h*, which fits loosely in the bore of the cannon. Surrounding the rod *b*, between this flange *h* and the shoulder *e* at the breech, is placed a spiral spring, *i*, as shown in Fig. 2.

The cannon D and carriage E are cast together in two longitudinal halves, whereby

the rod and spring can be easily inserted in the cannon, and on the bottom of each half is a projecting lug, *m*, which two lugs, when the two parts are put together, are passed down through an aperture, *n*, in the bank-top C, after which a pin, *p*, is passed through the two lugs directly under and against the top C, thus holding the parts together and to the bank-top.

The bolt *a*, that fastens the parts of the bank together, is passed through the carriage E under the cannon, thus concealing the head of the bolt.

The cannon is thus mounted at one end of the fort, and directly opposite the muzzle of the cannon, at the other end of the fort, is a target, G, contained in a house, H, which latter is cast with the top C, as shown in Fig. 3. The target G is made separate, and provided with suitable arms, so as to be held in place.

Across the center of the target is a horizontal slot, *s*, in which the piece of money is to be placed. The rod *b* of the cannon being pulled back until the catch *d* can be turned down over the rear end of the carriage E, the toy is ready for operation. By releasing the catch *d* the spring *i* throws the rod *b* forcibly forward until the button *e* strikes the piece of money in the slot in the target, and shoots the same into the house H, from whence it drops down into the bank.

In the back part of the house H may be arranged a gong, *l*, as represented by dotted lines in Fig. 3, in such a manner that the piece of money will be forcibly thrown against the same, which will make a louder sound than if the money were simply allowed to fall on the gong.

The house H extends sufficiently far in front of the target G to form a semicircular rest, *t*, upon which larger pieces of money may be placed, and rest against the target. Then, when the cannon is shot off, such piece of money will drop down through an aperture, *v*, in front of the target.

This toy bank may be used both as a savings-bank and as a toy for amusement, as desired.

The gun-carriage E may be provided with

wheels, and still constructed and fastened to the bank in the same manner as above described.

Having thus fully described my invention, what I claim as new, and desire to secure by Letters Patent, is—

1. The combination, with a toy bank, A B C, of the cannon D and carriage E, made in two longitudinal parts, the rod *b*, with catch *d* and collar *h*, and spring *i*, substantially as and for the purposes herein set forth.

2. The combination, with a toy bank, A B C, of the target G, with slot *s*, and the house H, with rest *t* and slot *v*, substantially as and for the purposes herein set forth.

In testimony whereof I have signed my name to the specification in the presence of two subscribing witnesses.

L. C. HOFFMEISTER.

Witnesses:

CHARLES A. FREE,

HARRY T. FREE.